

Application

IBF fans are used in a variety of mechanical ventilation installations, combining the advantages of axial fans – direction flow and radial - stable pressure, low noise level, high efficiency.

Examples of applications are supply ventilation and exhaust:

- apartments,
- offices, shops, bars, cafes, restaurants.

Construction

- rotors are made of plastic or aluminum sheet (depending on the model),
- rotors with backward curved blades,
- housing made of galvanized steel sheet,
- flanges on the inlet and outlet sides assembly,
- inspection hatch,
- working temperature -40°C +70°C (depending on the model),
- installation in any rectangular position ventilation ducts.

Electric motor

- asynchronous, single-phase 230V 50Hz,
- asynchronous, three-phase 400V, 50Hz with external rotor,
- thermal protection against overload,
- for voltage regulation (single-phase motors),
- for frequency control (three-phase motors).

Special versions

- painting in a color other than the standard,
- painting in a higher corrosivity category.



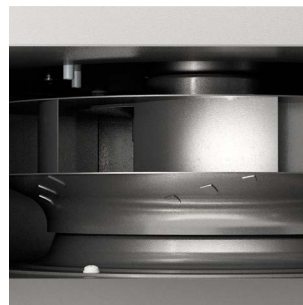
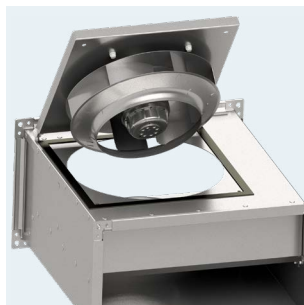
Easy assembly
Standard rectangular flanges for easy installation.



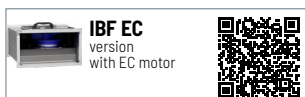
Inspection flap
For ease of use.



Rotor
with sloped blades backward.



RELATED PRODUCTS



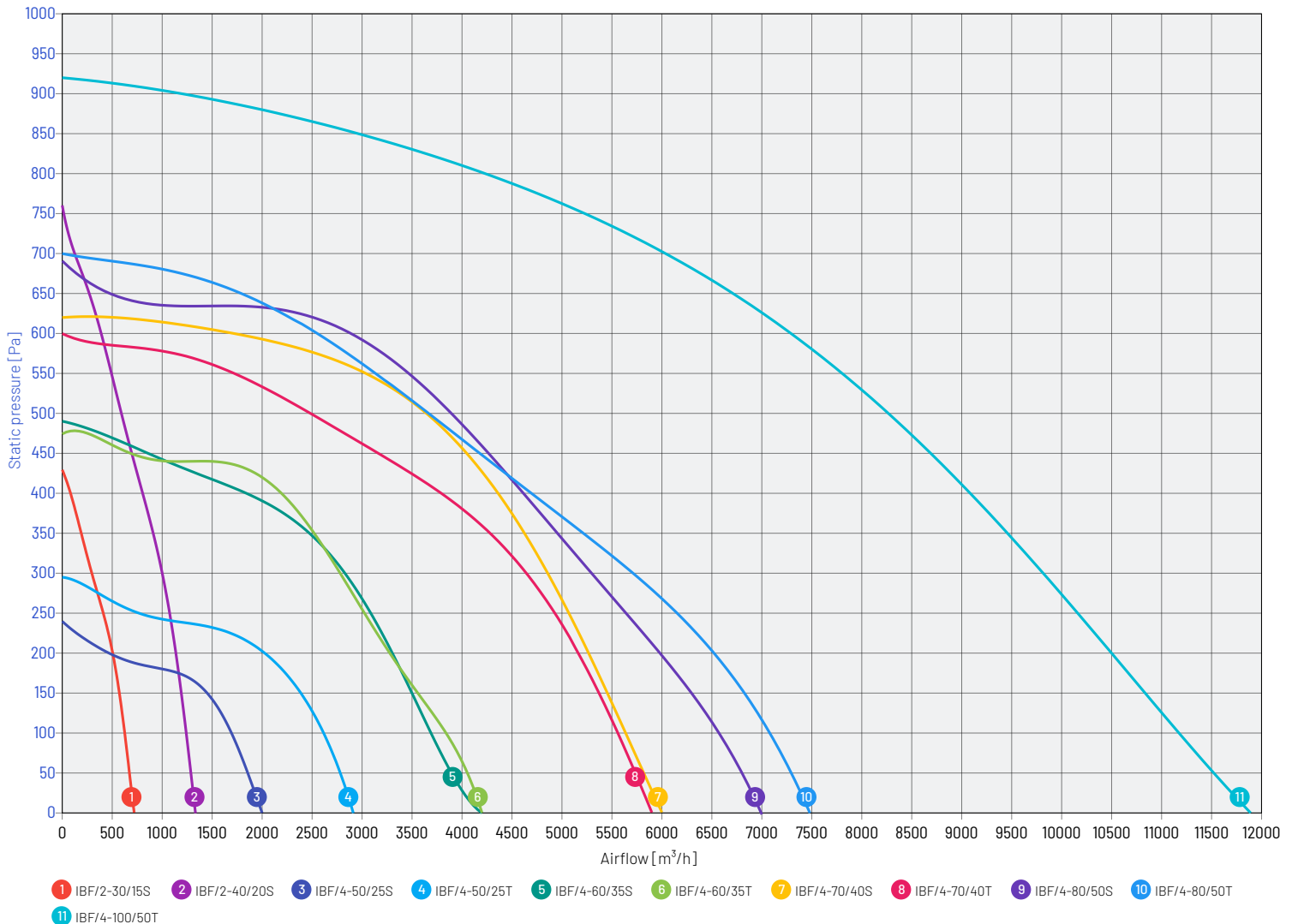


NOMINAL DATA

type	airflow max	pressure max	speed	voltage rated	current max abs.**	power max abs.	sound pressure level*	temperature operating min / max	weight	article number
IBF/2-30/15S	700	430 Pa	2 500 rpm	1~230 V	0,52 A	120 W	54 dB(A)	-30 / 60 °C	8,0 kg	41010800
IBF/2-40/20S	1350	760 Pa	2 760 rpm	1~230 V	1,2 A	278 W	59 dB(A)	-40 / 70 °C	12,0 kg	41010810
IBF/4-50/25S	2 000	240 Pa	1370 rpm	1~230 V	1,1 A	220 W	62 dB(A)	-15 / 60 °C	20,0 kg	41010820
IBF/4-50/25T	2 900	295 Pa	1380 rpm	3~400 V	0,68 A	330 W	61 dB(A)	-15 / 60 °C	20,5 kg	41010822
IBF/4-60/35S	4 200	490 Pa	1310 rpm	1~230 V	2,7 A	650 W	60 dB(A)	-40 / 70 °C	39,5 kg	41010830
IBF/4-60/35T	4 200	475 Pa	1370 rpm	3~400 V	1,3 A	640 W	61 dB(A)	-40 / 70 °C	37,5 kg	41010832
IBF/4-70/40S	6 000	620 Pa	1345 rpm	1~230 V	5,3 A	1270 W	63 dB(A)	-40 / 55 °C	56,0 kg	41010840
IBF/4-70/40T	5 900	600 Pa	1335 rpm	3~400 V	2,0 A	1020 W	61 dB(A)	-40 / 70 °C	53,0 kg	41010842
IBF/4-80/50S	7 000	690 Pa	1345 rpm	1~230 V	5,3 A	1270 W	63 dB(A)	-40 / 55 °C	75,0 kg	41010850
IBF/4-80/50T	7 500	700 Pa	1360 rpm	3~400 V	2,8 A	1250 W	61 dB(A)	-15 / 60 °C	72,0 kg	41010852
IBF/4-100/50T	11 900	920 Pa	1305 rpm	3~400 V	4,9 A	2 770 W	61 dB(A)	-40 / 40 °C	88,0 kg	41010860

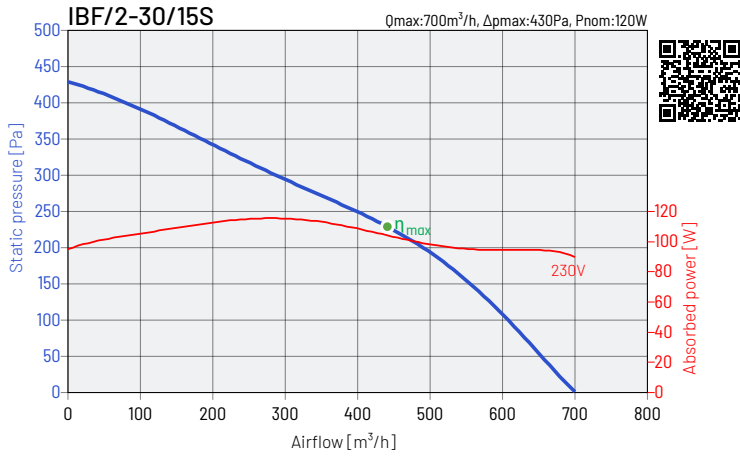
* Measurement made at a distance of 1.5m from the outlet, for $Q = 2/3 * Q_{max}$
 ** value of the rated current may vary depending on the manufacturer of the electric motor used.

PERFORMANCE CHARACTERISTICS OF THE FANS

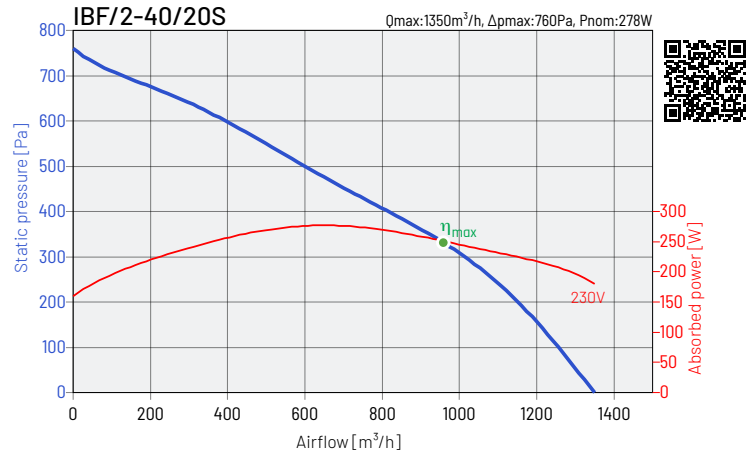




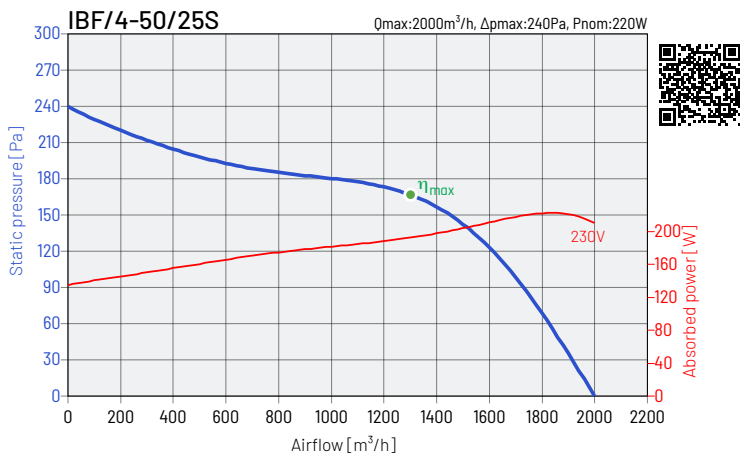
PERFORMANCE CHARACTERISTICS OF THE FANS



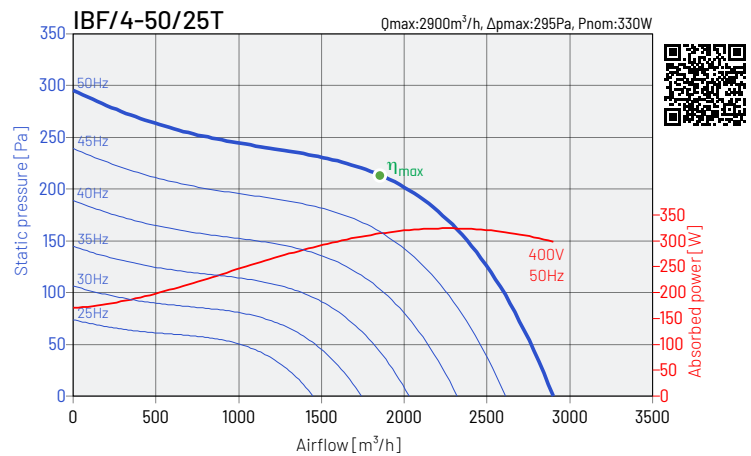
Hz / dB(A)	125	250	500	1000	2000	4000	8000	L_{WA}	L_{PA}
inlet	52	64	70	70	69	64	51	75	64
outlet	55	64	72	74	74	68	53	79	67
emitted	49	56	60	61	53	52	50	65	54



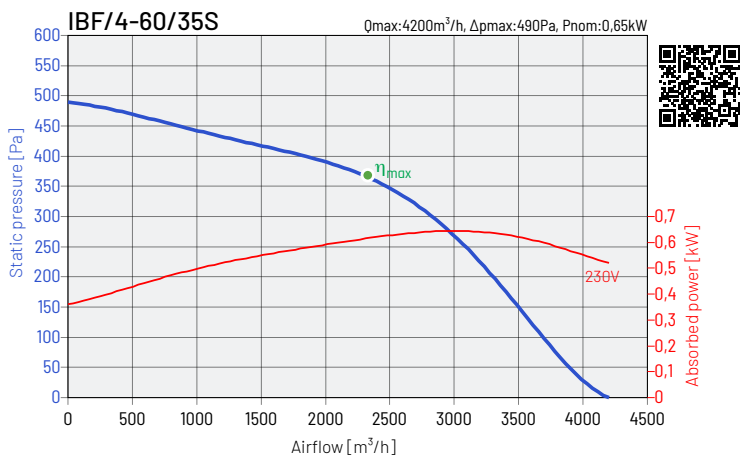
Hz / dB(A)	125	250	500	1000	2000	4000	8000	L_{WA}	L_{PA}
inlet	66	66	69	72	70	66	58	77	65
outlet	65	67	73	77	76	75	67	82	70
emitted	58	59	60	63	62	59	54	67	59



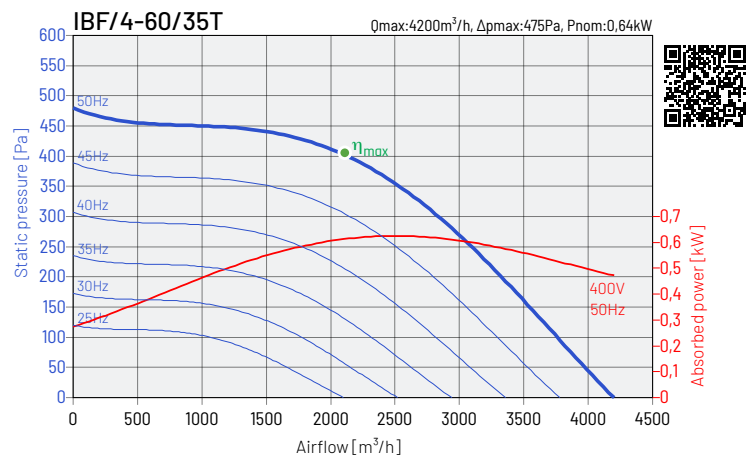
Hz / dB(A)	125	250	500	1000	2000	4000	8000	L_{WA}	L_{PA}
inlet	72	72	75	77	77	72	63	83	71
outlet	75	74	79	82	81	77	72	87	75
emitted	66	66	67	65	63	61	57	73	62



Hz / dB(A)	125	250	500	1000	2000	4000	8000	L_{WA}	L_{PA}
inlet	74	74	76	77	77	75	69	84	72
outlet	75	74	79	82	81	77	72	87	75
emitted	66	66	67	65	63	61	58	73	61



Hz / dB(A)	125	250	500	1000	2000	4000	8000	L_{WA}	L_{PA}
inlet	73	71	74	75	75	71	63	81	70
outlet	73	74	78	81	80	77	72	86	75
emitted	65	66	66	63	61	59	54	72	60

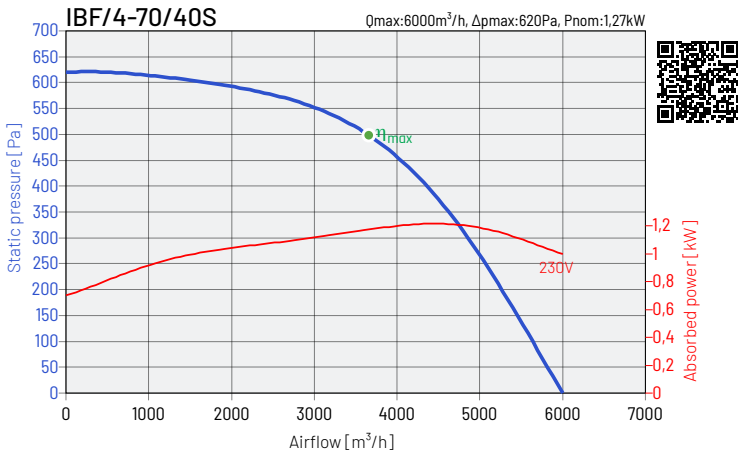


Hz / dB(A)	125	250	500	1000	2000	4000	8000	L_{WA}	L_{PA}
inlet	74	72	75	76	75	72	64	82	71
outlet	74	74	79	81	81	78	72	87	75
emitted	66	67	67	64	62	61	54	73	61

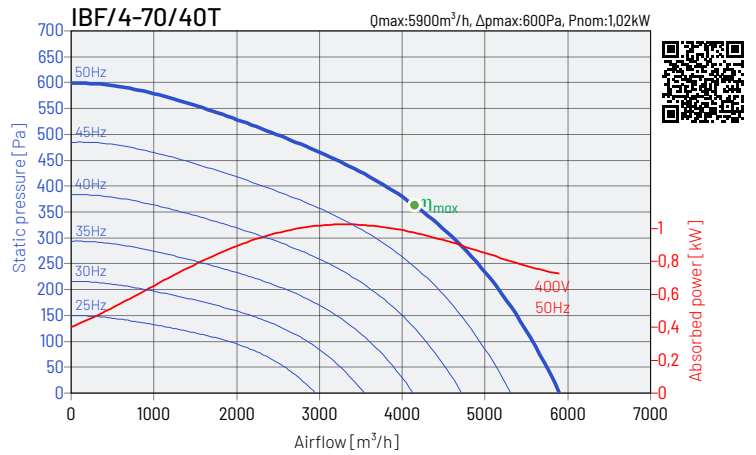
The performance characteristics of the fans are determined for a medium with a temperature of 20°C. Sound pressure level dB(A), determined at a distance of 1.5 m



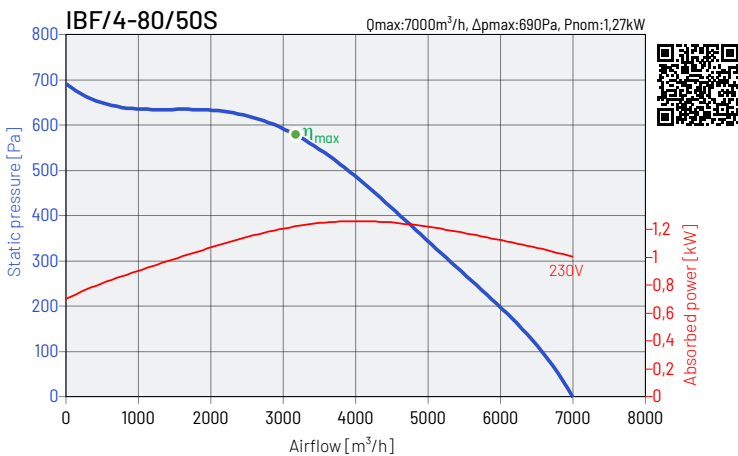
PERFORMANCE CHARACTERISTICS OF THE FANS



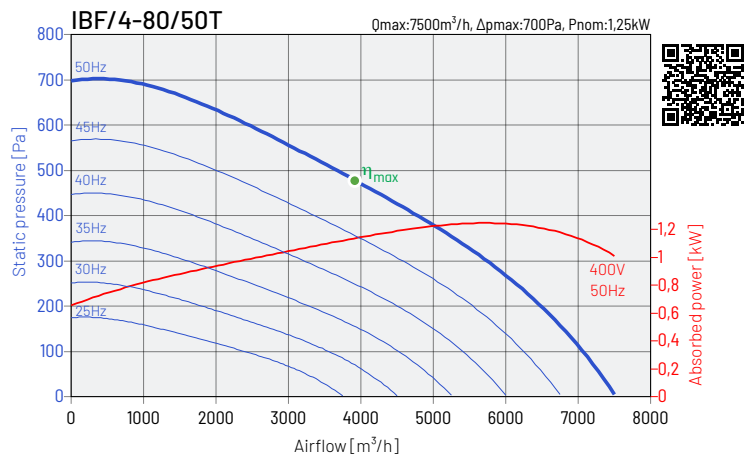
Hz / dB(A)	125	250	500	1000	2000	4000	8000	L_{WA}	L_{PA}
inlet	74	76	77	80	80	76	69	86	74
outlet	75	78	83	87	84	82	75	91	79
emitted	67	68	68	66	65	58	54	74	63



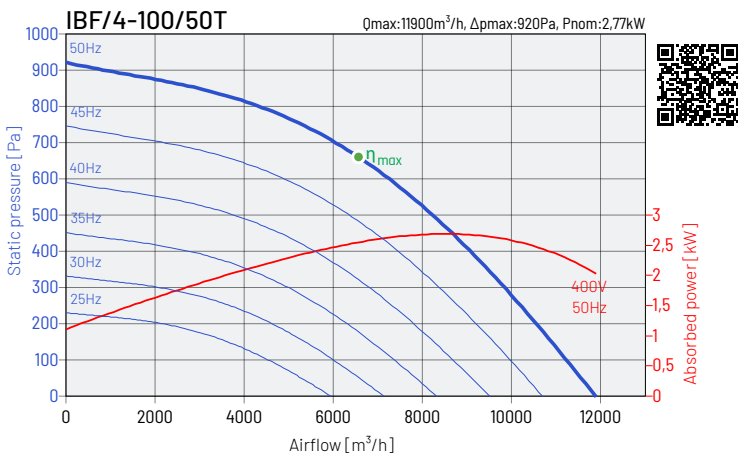
Hz / dB(A)	125	250	500	1000	2000	4000	8000	L_{WA}	L_{PA}
inlet	72	73	75	78	77	74	67	83	72
outlet	72	76	80	83	82	79	71	88	76
emitted	65	65	66	63	63	58	55	72	61



Hz / dB(A)	125	250	500	1000	2000	4000	8000	L_{WA}	L_{PA}
inlet	74	76	77	80	80	76	69	86	74
outlet	75	79	83	87	84	82	75	91	80
emitted	67	68	68	66	65	58	54	74	63



Hz / dB(A)	125	250	500	1000	2000	4000	8000	L_{WA}	L_{PA}
inlet	71	74	73	74	73	69	63	81	69
outlet	72	77	79	81	77	75	69	86	74
emitted	65	67	65	61	59	52	49	71	60



Hz / dB(A)	125	250	500	1000	2000	4000	8000	L_{WA}	L_{PA}
inlet	69	70	67	67	77	84	65	85	74
outlet	70	73	73	74	81	90	71	91	79
emitted	63	63	59	54	63	67	51	71	60

The performance characteristics of the fans are determined for a medium with a temperature of 20°C. Sound pressure level dB (A), determined at a distance of 1,5 m



ECO PROJECT

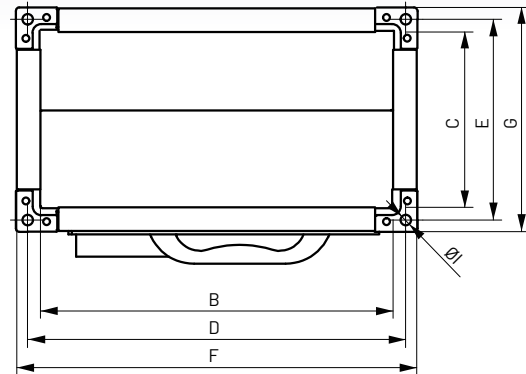
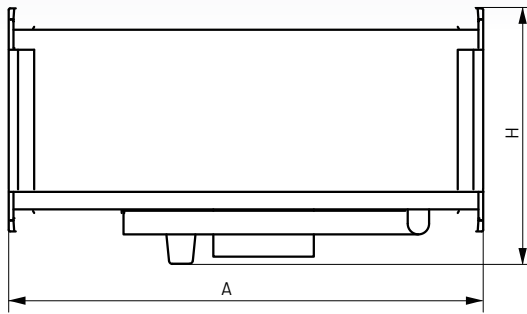
Type	IBF/2-30/15S	IBF/2-40/20S	IBF/4-50/25S	IBF/4-50/25T	IBF/4-60/35S	IBF/4-60/35T
a Supplier name	VENTURE INDUSTRIES	VENTURE INDUSTRIES	VENTURE INDUSTRIES	VENTURE INDUSTRIES	VENTURE INDUSTRIES	VENTURE INDUSTRIES
b Article number	41010800	41010810	41010820	41010822	41010830	41010832
c Device category	NRVU	NRVU	NRVU	NRVU	NRVU	NRVU
c Device type	UVU	UVU	UVU	UVU	UVU	UVU
d Type of drive	variable speed drive v	variable speed drive v	variable speed drive v	variable speed drive v	variable speed drive v	variable speed drive v
e Type of heat recovery system	not applicable	not applicable	not applicable	not applicable	not applicable	not applicable
f Thermal efficiency of heat recovery [%]	not applicable	not applicable	not applicable	not applicable	not applicable	not applicable
g Reference flow rate in NRVU [m³/s]	0,12	0,27	0,35	0,5	0,65	0,6
h Electric power input [kW]	0,1	0,25	0,19	0,31	0,61	0,62
i SFPint [W/(m²/s)]	853	938	547	620	934	1030
j Face velocity [m/s]	0,69	1,21	1,35	1,74	1,83	1,83
k Δps, ext [Pa]	237	335	171	220	365	410
l Δps, int [Pa]	not applicable	not applicable	not applicable	not applicable	not applicable	not applicable
m Δps, add [Pa]	not applicable	not applicable	not applicable	not applicable	not applicable	not applicable
n Static efficiency of fans [%]	28,1	35,7	31,9	35,5	39,1	39,8
o Maximum external leakage rate [%]	0	0	0	0	0	0
p Energy performance	not applicable	not applicable	not applicable	not applicable	not applicable	not applicable
q Visual filter warning	not applicable	not applicable	not applicable	not applicable	not applicable	not applicable
r L _{WA} [dB(A)]	65	67	73	73	72	73
s Internet address	www.ventur.eu	www.ventur.eu	www.ventur.eu	www.ventur.eu	www.ventur.eu	www.ventur.eu

Type	IBF/4-70/40S	IBF/4-70/40T	IBF/4-80/50S	IBF/4-80/50T	IBF/4-100/50T
a Supplier name	VENTURE INDUSTRIES	VENTURE INDUSTRIES	VENTURE INDUSTRIES	VENTURE INDUSTRIES	VENTURE INDUSTRIES
b Article number	41010840	41010842	41010850	41010852	41010860
c Device category	NRVU	NRVU	NRVU	NRVU	NRVU
c Device type	UVU	UVU	UVU	UVU	UVU
d Type of drive	variable speed drive v	variable speed drive v	variable speed drive v	variable speed drive v	variable speed drive v
e Type of heat recovery system	not applicable	not applicable	not applicable	not applicable	not applicable
f Thermal efficiency of heat recovery [%]	not applicable	not applicable	not applicable	not applicable	not applicable
g Reference flow rate in NRVU [m³/s]	1,07	1,14	0,86	1,11	1,79
h Electric power input [kW]	1,18	0,98	1,2	1,15	2,5
i SFPint [W/(m²/s)]	1103	856	1393	1035	1395
j Face velocity [m/s]	2,7	2,87	2,18	2,72	3,59
k Δps, ext [Pa]	481	369	605	472	675
l Δps, int [Pa]	not applicable	not applicable	not applicable	not applicable	not applicable
m Δps, add [Pa]	not applicable	not applicable	not applicable	not applicable	not applicable
n Static efficiency of fans [%]	43,4	43,2	43,4	45,4	48,4
o Maximum external leakage rate [%]	0	0	0	0	0
p Energy performance	not applicable	not applicable	not applicable	not applicable	not applicable
q Visual filter warning	not applicable	not applicable	not applicable	not applicable	not applicable
r L _{WA} [dB(A)]	74	72	74	71	71
s Internet address	www.ventur.eu	www.ventur.eu	www.ventur.eu	www.ventur.eu	www.ventur.eu

*NRVU - „non-residential ventilation unit“ - according to COMMISSION REGULATION (EU) No 1254/2014.



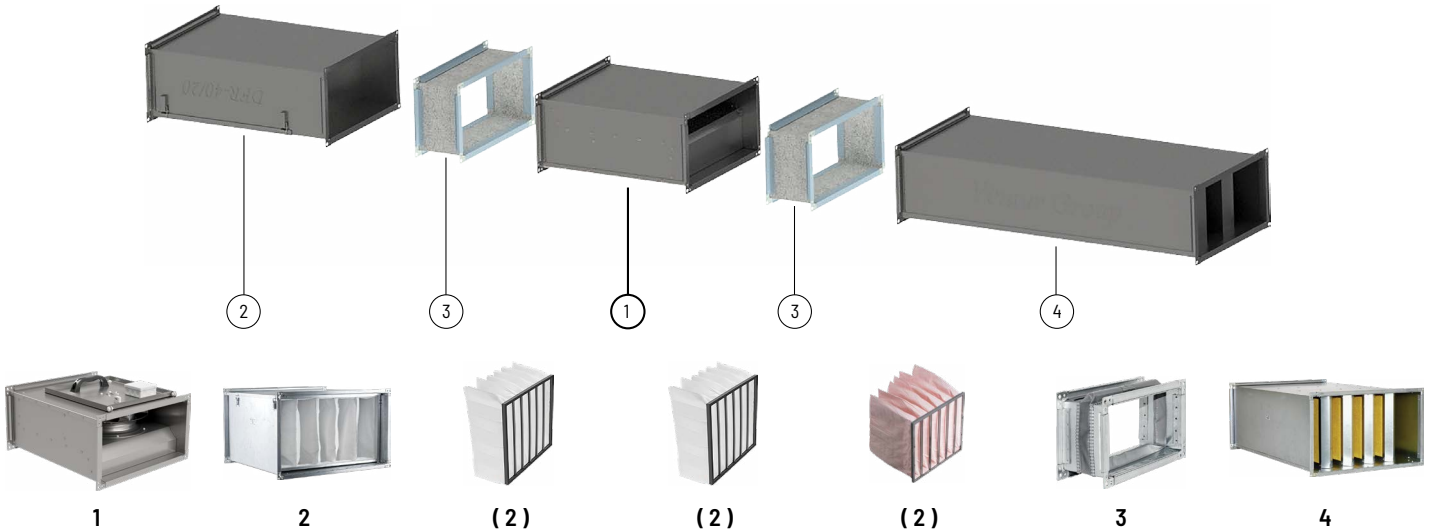
DIMENSIONS



type	A	B	C	D	E	F	G	H	ØI
	mm	mm	mm	mm	mm	mm	mm	mm	mm
IBF/2-30/15S	402	300	150	320	170	340	190	235	9
IBF/2-40/20S	502	400	200	420	220	440	240	268	9
IBF/4-50/25S	532	500	250	520	270	540	290	318	9
IBF/4-50/25T	532	500	250	520	270	540	290	335	9
IBF/4-60/35S	724	600	350	620	370	640	390	437	9

type	A	B	C	D	E	F	G	H	ØI
	mm	mm	mm	mm	mm	mm	mm	mm	mm
IBF/4-60/35T	724	600	350	620	370	640	390	437	9
IBF/4-70/40S	724	700	400	722	420	742	440	500	9
IBF/4-70/40T	724	700	400	722	420	742	440	500	9
IBF/4-80/50S	880	800	500	822	522	842	542	624	9
IBF/4-80/50T	880	800	500	822	522	842	542	624	9
IBF/4-100/50T	1000	1000	500	1029	529	1059	559	622	13

MOUNTING ACCESSORIES



type	duct filter DFR	cartridge filter EU3	cartridge filter EU5	cartridge filter EU7	antivibration connector IAE-PL	silencer RCS
IBF/2-30/15	DFR-30/15	EU3 30/15cm	EU5 30/15cm	EU7 30/15cm	IAE-PL-190	RCS-30/15
IBF/2-40/20	DFR-40/20	EU3 40/20cm	EU5 40/20cm	EU7 40/20cm	IAE-PL-200	RCS-40/20
IBF/4-50/25	DFR-50/25	EU3 50/25cm	EU5 50/25cm	EU7 50/25cm	IAE-PL-225	RCS-50/25
IBF/4-60/35	DFR-60/35	EU3 60/35cm	EU5 60/35cm	EU7 60/35cm	IAE-PL-315	RCS-60/35
IBF/4-70/40	DFR-70/40	EU3 70/40cm	EU5 70/40cm	EU7 70/40cm	IAE-PL-355	RCS-70/40
IBF/4-80/50	DFR-80/50	EU3 80/50cm	EU5 80/50cm	EU7 80/50cm	IAE-PL-400	RCS-80/50
IBF/4-100/50	DFR-100/50	EU3 100/50cm	EU5 100/50cm	EU7 100/50cm	IAE-PL-450	RCS-100/50

Article numbers

40520910 DFR-30/15	40520913 EU3 30/15cm	40520915 EU5 30/15cm	40520917 EU7 30/15cm	40532800 IAE-PL-190	40521900 RCS-30/15
40520920 DFR-40/20	40520923 EU3 40/20cm	40520925 EU5 40/20cm	40520927 EU7 40/20cm	40532810 IAE-PL-200	40521910 RCS-40/20
40520930 DFR-50/25	40520933 EU3 50/25cm	40520935 EU5 50/25cm	40520937 EU7 50/25cm	40532820 IAE-PL-225	40521920 RCS-50/25
40520960 DFR-60/35	40520963 EU3 60/35cm	40520965 EU5 60/35cm	40520967 EU7 60/35cm	40532850 IAE-PL-315	40521950 RCS-60/35
40520970 DFR-70/40	40520973 EU3 70/40cm	40520975 EU5 70/40cm	40520977 EU7 70/40cm	40532860 IAE-PL-355	40521960 RCS-70/40
40520980 DFR-80/50	40520983 EU3 80/50cm	40520985 EU5 80/50cm	40520987 EU7 80/50cm	40532870 IAE-PL-400	40521970 RCS-80/50
40520990 DFR-100/50	40520993 EU3 100/50cm	40520995 EU5 100/50cm	40520997 EU7 100/50cm	40532880 IAE-PL-450	40521980 RCS-100/50



ELECTRICAL ACCESSORIES - Single-phase motors



type	wall thermostat	duct thermostat	air quality sensor	humidistat	thyristor regulator		thyrist. reg. 2-pos 6-speed	transformer regulator		2-speed trans. regulator
	TS	TK-21	SQA	HIG-2	REB N	REB NE	RND-1	RMB	RVS	SC2A
IBF/2-30/15S	TS	TK-21	SQA	HIG-2	REB-1 N	REB-1 NE	RND-1	RMB-1,5	RVS-1,5	SC2A1-15L25
IBF/2-40/20S	TS	TK-21	SQA	HIG-2	REB-2,5 N	REB-2,5 NE	RND-1	RMB-1,5	RVS-1,5	SC2A1-15L25
IBF/4-50/25S	TS	TK-21	SQA	HIG-2	REB-2,5 N	REB-2,5 NE	RND-1	RMB-1,5	RVS-1,5	SC2A1-15L25
IBF/4-60/35S	TS	TK-21	SQA	HIG-2	REB-5	-	-	RMB-3,5	RVS-7	SC2A1-35L25
IBF/4-70/40S	TS	TK-21	SQA	HIG-2	REB-10	-	-	RMB-8	RVS-7	SC2A1-75L25
IBF/4-80/50S	TS	TK-21	SQA	HIG-2	REB-10	-	-	RMB-8	RVS-7	SC2A1-75L25

ELECTRICAL ACCESSORIES - Three-phase motors



type	wall thermostat	duct thermostat	air quality sensor	humidistat	transformer regulator	2-speed transformer regulator	inverter
	TS	TK-21	SQA	HIG-2	RMT	SC2A	L
IBF/4-50/25T	TS + DILM7	TK-21 + DILM7	SQA + DILM7	HIG-2 + DILM7	RMT-1,5	SC2A4-15L55	L 0,4kW
IBF/4-60/35T	TS + DILM7	TK-21 + DILM7	SQA + DILM7	HIG-2 + DILM7	RMT-2,5	SC2A4-25L55	L 0,75kW
IBF/4-70/40T	TS + DILM7	TK-21 + DILM7	SQA + DILM7	HIG-2 + DILM7	RMT-2,5	SC2A4-25L55	L 1,5kW
IBF/4-80/50T	TS + DILM7	TK-21 + DILM7	SQA + DILM7	HIG-2 + DILM7	RMT-5	SC2A4-40L55	L 1,5kW
IBF/4-100/50T	TS + DILM7	TK-21 + DILM7	SQA + DILM7	HIG-2 + DILM7	RMT-8	SC2A4-60L55	L 4,0kW

Article numbers

40025345 TS	40025010 REB-1 N	40025060 RMB-1,5	40025251 SC2A1-15L25	40016302 L 0,4kW
40025320 TK-21	40025020 REB-1 NE	40025070 RMB-3,5	40025255 SC2A1-35L25	40016312 L 0,75kW
40025140 SQA	40025030 REB-2,5 N	40025080 RMB-8	40025258 SC2A1-75L25	40016322 L 1,5kW
40025150 HIG-2	40025040 REB-2,5 NE	40025232 RVS-1,5	40025270 SC2A4-15L55	40016352 L 4,0kW
91040997 DILM7	40025051 REB-5	40025236 RVS-7	40025272 SC2A4-25L55	
	40025055 REB-10	40025100 RMT-1,5	40025274 SC2A4-40L55	
	40025630 RND-1	40025105 RMT-2,5	40025276 SC2A4-60L55	
		40025115 RMT-5		
		40025120 RMT-8		