



APPLICATION

A fan designed for transporting hot or very humid air. Perfect for any drying facility.

CONSTRUCTION

Axial fan with direct drive designed for wall mounting. The reversible impeller is made of aluminium and dynamically balanced, according to ISO 1940-1. The housing is made of stainless steel.

The fans are designed for use within the temperature range -20°C to +105°C. On request, we could supply the equipment tailored to individual customer needs, including: provided with non-standard housing (adjusted length or diameter, made of stainless or galvanized steel).

MOTOR

Asynchronous, three-phase 230/400V, 50Hz and 400/690V, 50Hz (depending on the fan model and motor power). Insulation class H, degree of protection IP55. The motors are made in accordance with EC 60072 and 60034 standards. On request, we can deliver motors provided with an independent cooling system and/or with sensors.

Electrical wiring diagram - fig. 8, p. 663

DESIGNATION

AF	D	/	4	-	450	-	037	T
1	2	3	4	5	6			

1. Name
2. Model:
D - for wall mounting
3. Number of poles
4 - 1400 rpm - 50 Hz
4. Nominal diameter of impeller [mm]
5. Motor power factor
037 - $0,37 \times 10 = 370$ W
6. Electrical supply
T - three-phase

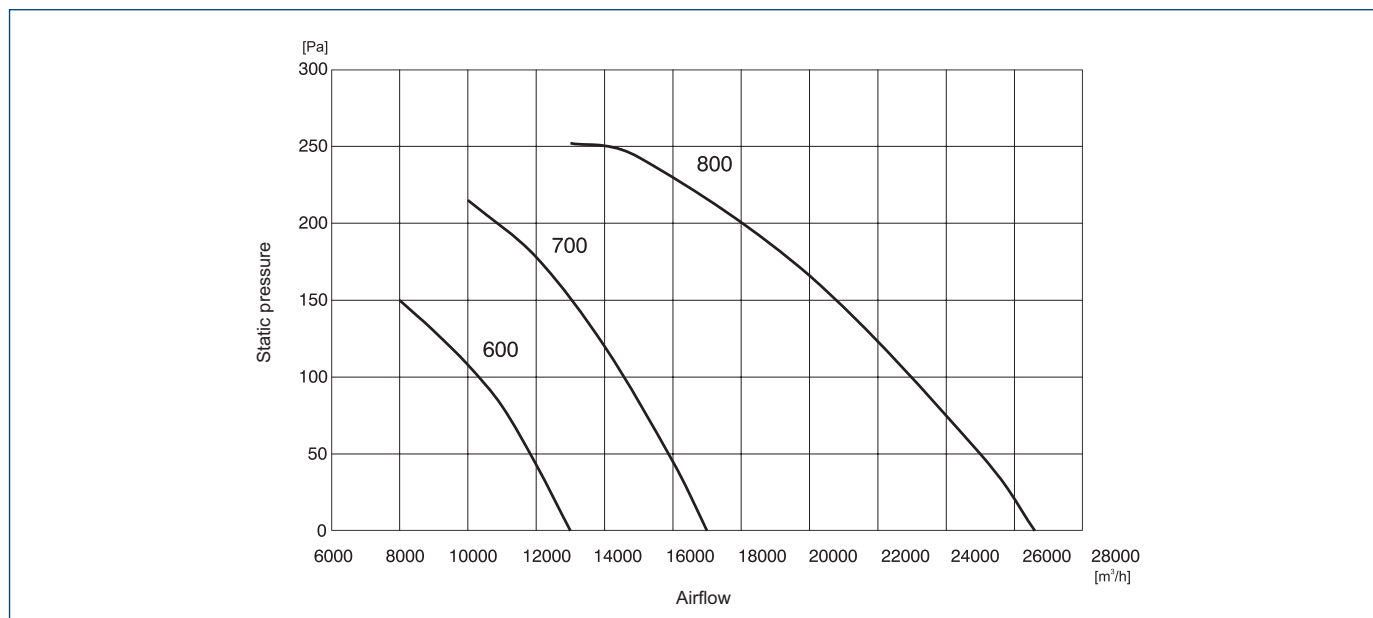
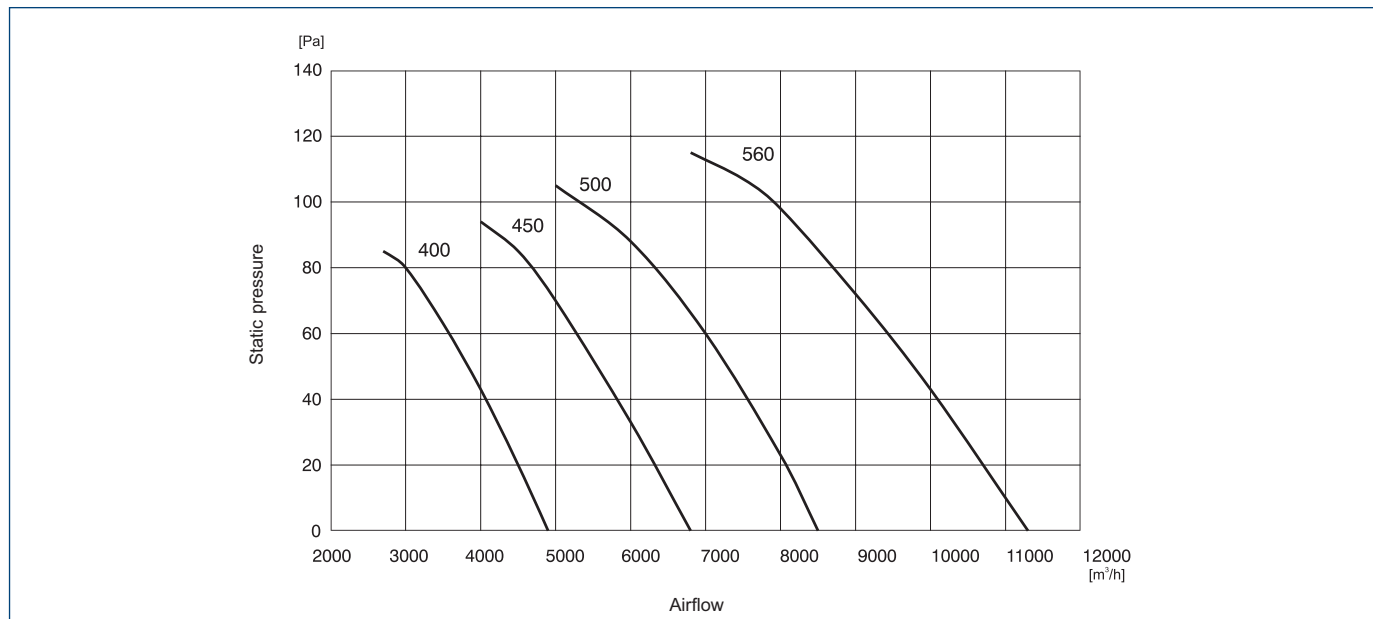


TECHNICAL CHARACTERISTICS

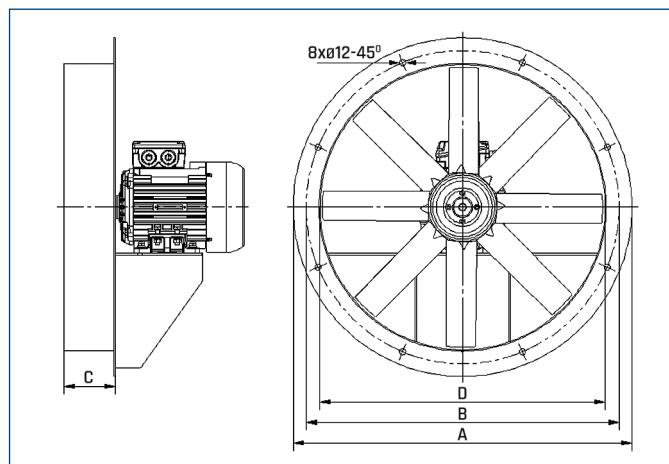
Type	speed	maximum absorbed power	maximum absorbed current		airflow	sound pressure level*	weight	article number
	[r.p.m.]		[kW]	230V 400V				
			[A]		[m³/h]	[dB(A)]	[kg]	
AFD/4-400-025T	1390	0,25	1,55	0,9	4900	78	11,5	42515030
AFD/4-450-037T	1400	0,37	2,0	1,15	6800	81	20	42515040
AFD/4-500-055T	1395	0,55	2,5	1,39	8500	82	22	42515050
AFD/4-560-090T	1425	0,9	-	2,5	11300	85	28	42515060
AFD/4-600-090T	1425	0,9	-	2,5	13000	86	34,5	42515000
AFD/4-700-220T	1500	2,2	-	4,5	17000	89	75	43515010
AFD/4-800-300T	1440	3,0	-	6,8	26600	94	80	43515020

* - sound pressure level measured at 1,5 meters

PERFORMANCE CURVES



DIMENSIONS [mm]



Type	A	B	C	D
400	500	450	100	400
450	550	500	100	460
500	600	550	100	510
560	660	610	100	560
600	775	700	160	600
700	875	800	160	610
800	975	900	160	810