

APPLICATION

Fans designed for transporting non-aggressive and non-explosive gases without pollution. Typical applications:

- refrigeration and air conditioning equipment,
- dryers,
- air handling units.

CONSTRUCTION

- medium-pressure, direct-driven radial fan,
- painted impeller welded from steel sheet, with backward inclined blades, balanced according to ISO1940-1 (impeller made of aluminium sheet in models 355 and from 630 to 800),
- housing welded from steel sheet,
- assembled with stand for the motor,
- painted in blue RAL5010, corrosivity class C3,
- maximum temperature of the transported medium +80°C,
- standard figure LG270.

MOTOR

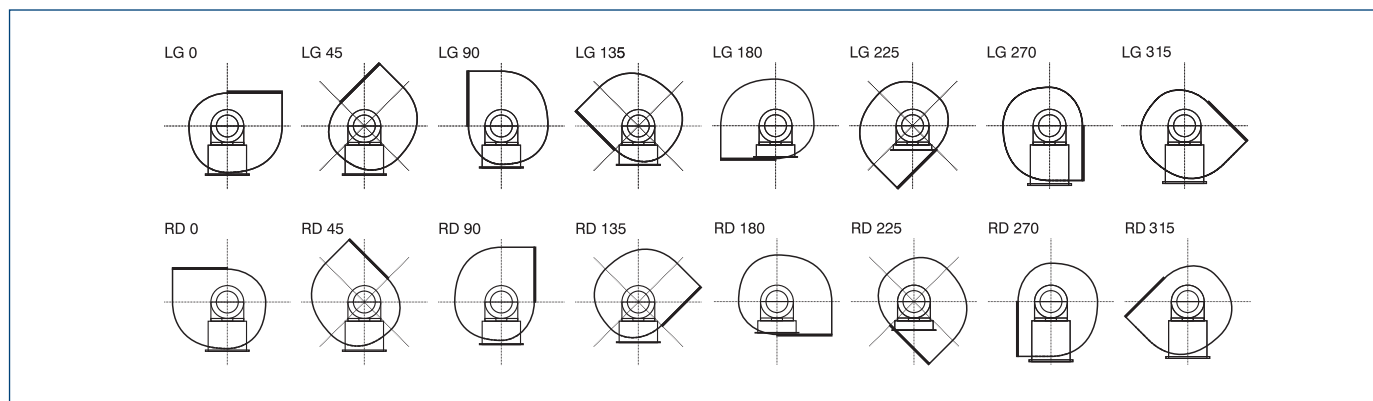
- asynchronous 3-phase 230/400V, 50Hz (power up to 3,0 kW),
- asynchronous 3-phase 400/690V, 50Hz (power from 4,0 kW),
- IE3 efficiency class (from 0,75 kW),
- degree of protection IP55,
- insulation class F,
- adapted to frequency regulation,
- motor ambient temperature from -20°C to +40°C.

SPECIAL EXECUTIONS

- any LG or RD figure,
- painting in a color other than the standard one according to the RAL palette,
- painting in a higher corrosivity class,
- galvanized housing, impeller and motor stand,
- housing, impeller and motor stand made of stainless steel 1,4301,
- housing, impeller and motor stand made of stainless steel 1,4404,
- with belt drive,
- with thermal and acoustic insulation,
- sealing between the housing and the motor,
- with a motor for a voltage or frequency other than the standard,
- with a motor with a different IP protection class,
- with a motor with a different insulation class,
- with a motor equipped with sensors or additional cooling,
- for transporting a medium with a temperature below -20°C and above +80°C,
- motor ambient temperature below -20°C and above +40°C.



FIGURES



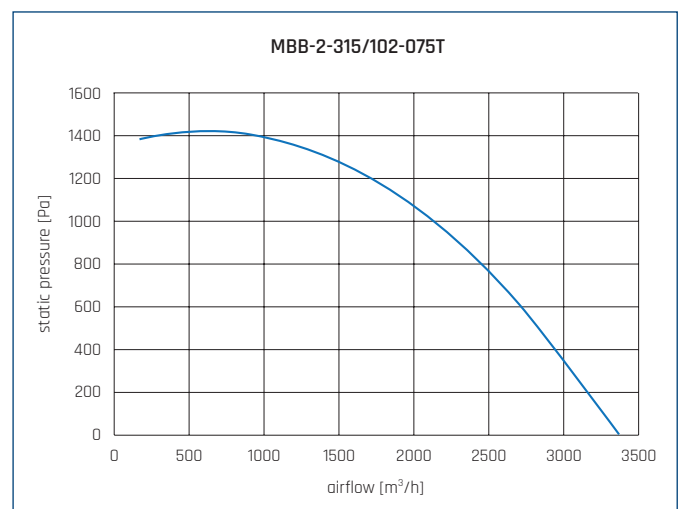
TECHNICAL CHARACTERISTICS

Type	airflow max	pressure max	speed	voltage	maximum absorbed current	motor power	sound pressure level*	weight	article number
	[m³/h]	[Pa]	[r.p.m.]	[V]	[A]	[kW]	[dB(A)]	[kg]	
MBB-2-315/102-075T	3375	1410	2890	230/400	3,3/1,9	0,75	78	45	435512015
MBB-4-315/102-037T	1690	355	1370	230/400	2,2/1,25	0,37	63	40	435512017
MBB-2-355/125-150T	4525	1686	2880	230/400	5,25/3	1,5	79	64,9	435512025
MBB-4-355/125-075T	2265	400	1430	230/400	3,6/2,1	0,75	64	55	435512028
MBB-2-400/140-300T	6460	2430	2870	230/400	11/5,3	3,0	82	90	435512035
MBB-4-400/140-110T	3215	610	1425	230/400	4,3/2,5	1,1	67	80	435512037
MBB-2-450/160-550T	10470	2975	2890	400/690	9,8/5,7	5,5	86	105	435512046
MBB-4-450/160-220T	4835	705	1455	230/400	8,1/4,6	2,2	71	93	435512048
MBB-2-500/160-1100T	13440	3475	2900	400/690	11,1/19,1	11,0	87	135	435512059
MBB-4-500/180-110T	7160	860	1425	230/400	4,3/2,5	1,1	72	123	435512050
MBB-2-560/200-1850T	17050	4420	2930	400/690	32,8/19	18,5	91	240	435512066
MBB-4-560/200-220T	10350	1210	1455	230/400	8,1/4,6	2,2	80	140	435512060
MBB-4-630/250-400T	14855	1235	1450	400/690	8,4/4,8	4,0	82	203	435512070
MBB-6-630/250-220T	10695	560	950	230/400	9,1/5,5	2,2	68	200	435512074
MBB-4-710/250-750T	19120	1830	1450	400/690	14,6/8,5	7,5	83	250	435512080
MBB-6-710/250-300T	14025	840	970	230/400	12,7/7,3	3,0	71	243	435512090
MBB-4-800/224-1100T	21335	2495	1475	400/690	21,2/12,3	11,0	86	352	435512104
MBB-6-800/224-400T	14315	1100	960	400/690	9,3/5,9	4,0	80	313	435512114
MBB-4-800/250-1100T	26250	2570	1475	400/690	21,2/12,3	11,0	89	364	435512102
MBB-6-800/250-400T	14815	1100	960	400/690	9,3/5,9	4,0	81	326	435512112
MBB-4-800/280-1500T	27205	3245	1475	400/690	28,3/16,4	15,0	93	370	435512100
MBB-6-800/280-550T	12200	725	965	400/690	13,3/8,6	5,5	82	282	435512110
MBB-8-800/280-550T	13000	730	750	400/690	12,8/7,4	5,5	67	311	435512116
MBB-4-900/250-1850T	33000	2600	1470	400/690	35/20,8	18,5	94	434	435512128
MBB-6-900/250-550T	21500	1200	965	400/690	13,3/8,6	5,5	83	310	435512138
MBB-4-900/280-1850T	38000	2650	1470	400/690	35/20,8	18,5	95	456	435512124
MBB-6-900/280-750T	25500	1120	975	400/690	16,6/10,4	7,5	84	400	435512134
MBB-4-1000/355-3700T	53630	3480	1485	400/690	65/38	37,0	98	947	435512135
MBB-6-1000/280-1100T	35775	1610	980	400/690	24/15	11,0	85	670	435512160
MBB-6-1000/355-1500T	37575	1635	970	400/690	30,3/18	15,0	86	720	435512145
MBB-8-1000/355-550T	30021	1045	750	400/690	12,8/7,4	5,5	71	617	425512150

* measurement made at a distance of 1.5 m from the fan, for Q = 2/3 * Qmax

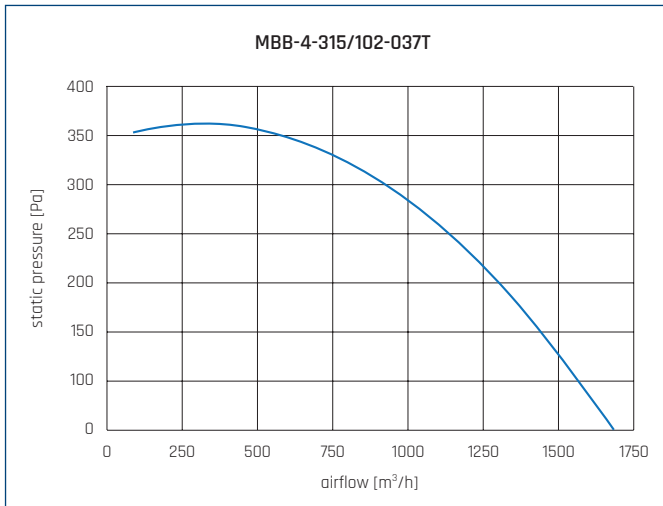
PERFORMANCE CURVES

- MC Measurement category
- EC Efficiency category
- VSD Speed control: supplied with the fan
- SR Specific ratio
- η [%] Efficiency
- N Efficiency grade
- [kW] Absorbed power
- [m³/h] Airflow
- [Pa] Pressure static/pressure total
- [RPM] Speed

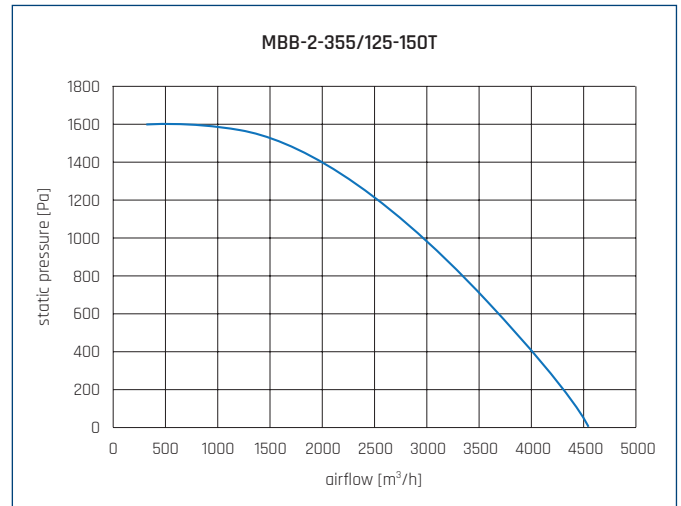


MC	EC	VSD	SR	η[%]	N	[kW]	[m³/h]	[Pa]	[RPM]
B	total	No	1	59,6%	70,5	0,90	1 408	1 366	2890

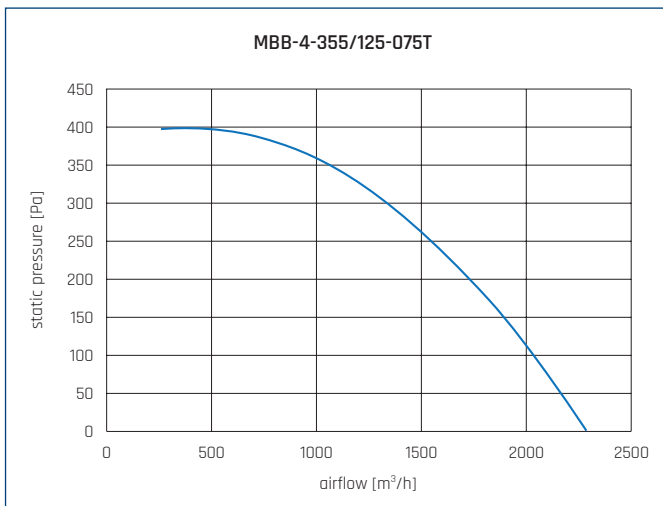
PERFORMANCE CURVES



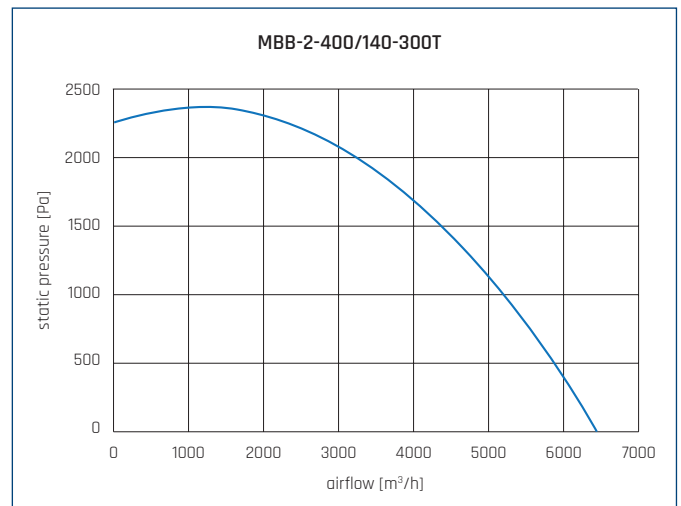
MC	EC	VSD	SR	η [%]	N	[kW]	[m³/h]	[Pa]	[RPM]
B	total	No	1	46,6%	64,0	0,22	1 148	318	1370



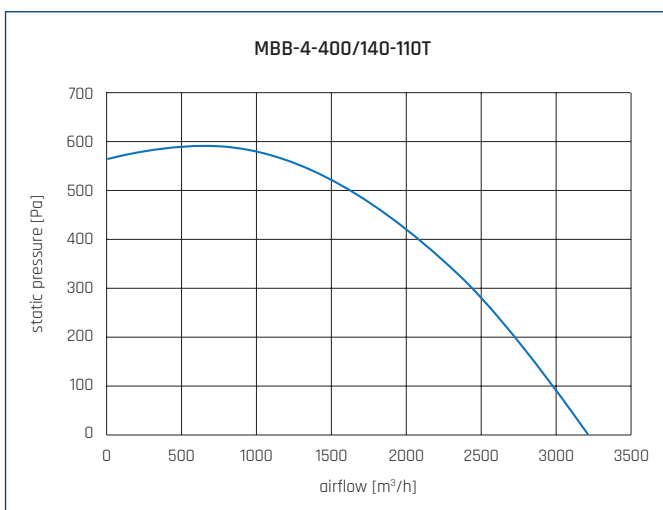
MC	EC	VSD	SR	η [%]	N	[kW]	[m³/h]	[Pa]	[RPM]
C	static	No	1	54,0%	62,6	1,53	2 224	1 366	2880



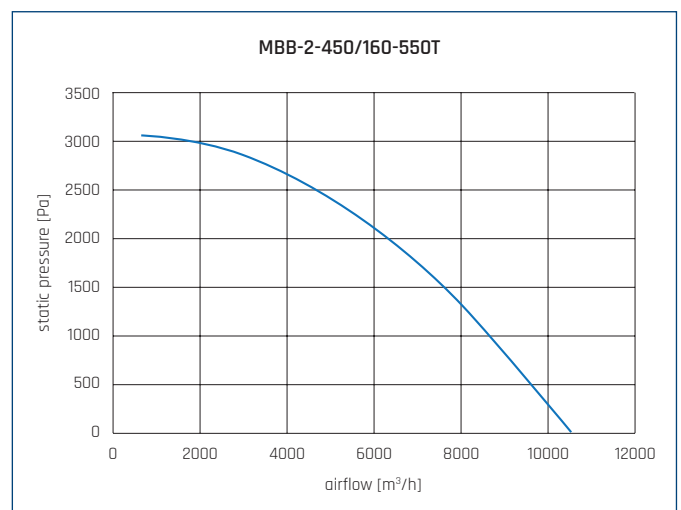
MC	EC	VSD	SR	η [%]	N	[kW]	[m³/h]	[Pa]	[RPM]
B	total	No	1	54,8%	71,5	0,26	1 418	348	1430



MC	EC	VSD	SR	η [%]	N	[kW]	[m³/h]	[Pa]	[RPM]
B	total	No	1	65,2%	70,4	0,32	3 625	2 086	2870

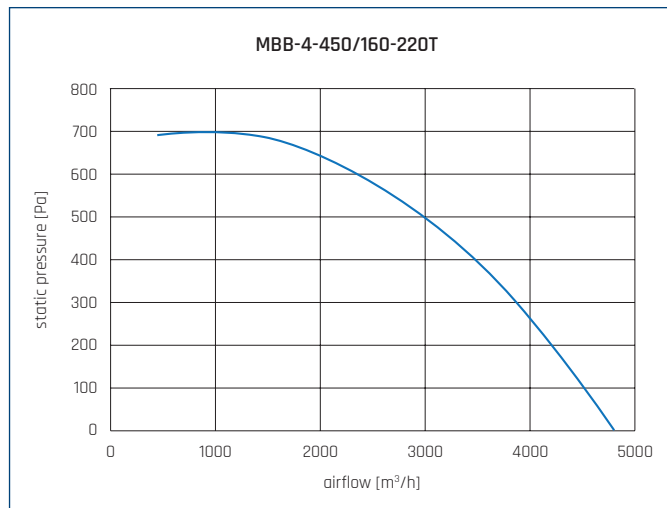


MC	EC	VSD	SR	η [%]	N	[kW]	[m³/h]	[Pa]	[RPM]
B	total	No	1	52,3%	64,7	0,65	2 067	595	1425

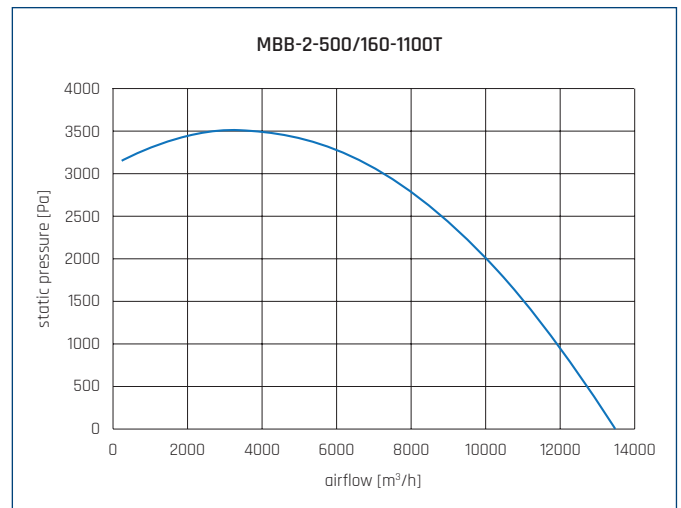


MC	EC	VSD	SR	η [%]	N	[kW]	[m³/h]	[Pa]	[RPM]
B	total	No	1	63,0%	65,4	5,95	5 503	2 453	2890

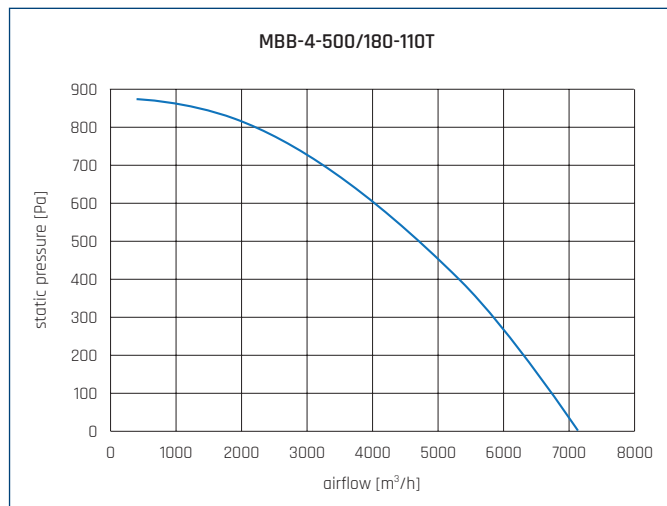
PERFORMANCE CURVES



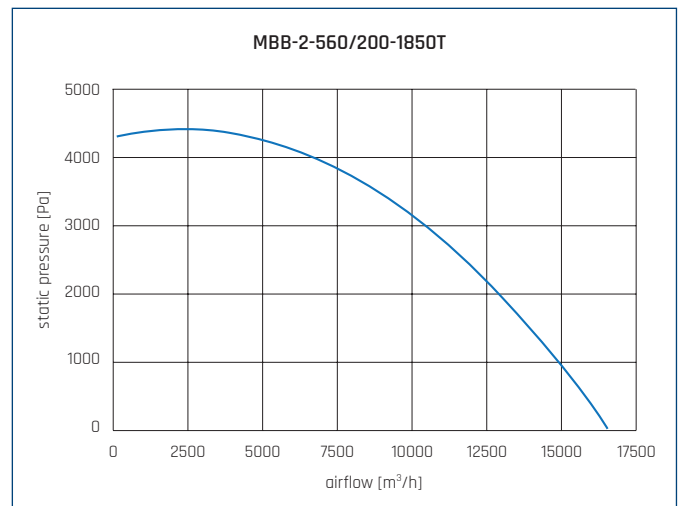
MC	EC	VSD	SR	η [%]	N	[kW]	[m³/h]	[Pa]	[RPM]
C	static	No	1	50,3%	61,5	0,85	2 705	571	1455



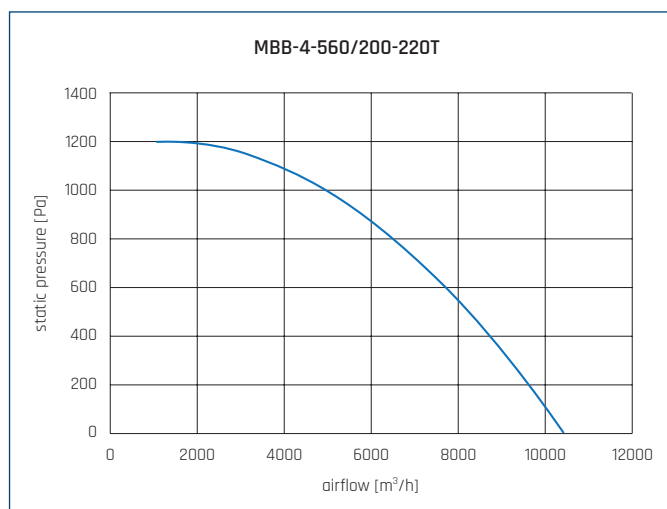
MC	EC	VSD	SR	η [%]	N	[kW]	[m³/h]	[Pa]	[RPM]
C	static	No	1	62,9%	63,0	9,72	7 634	2 880	2900



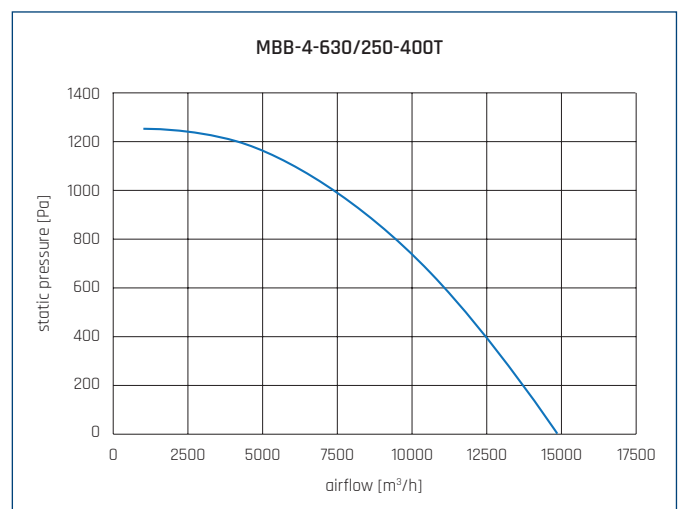
MC	EC	VSD	SR	η [%]	N	[kW]	[m³/h]	[Pa]	[RPM]
B	total	No	1	58,7%	68,3	1,22	4 151	619	1425



MC	EC	VSD	SR	η [%]	N	[kW]	[m³/h]	[Pa]	[RPM]
C	static	No	1	63,7%	63,4	15,23	9 552	3 659	2930

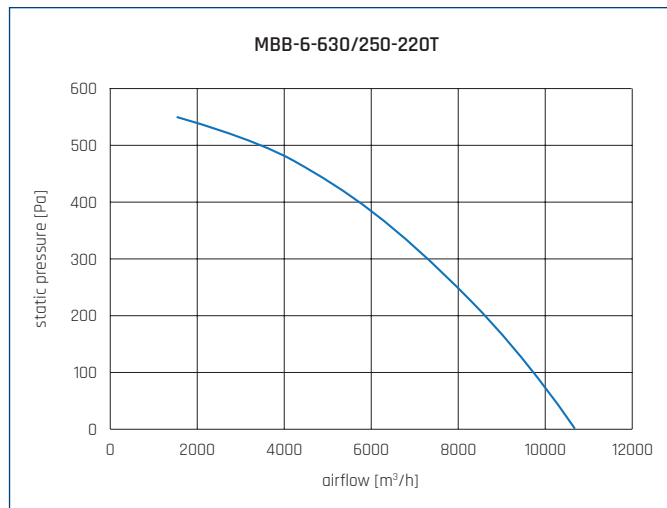


MC	EC	VSD	SR	η [%]	N	[kW]	[m³/h]	[Pa]	[RPM]
C	static	No	1	55,6%	62,6	2,16	4 265	1 013	1450

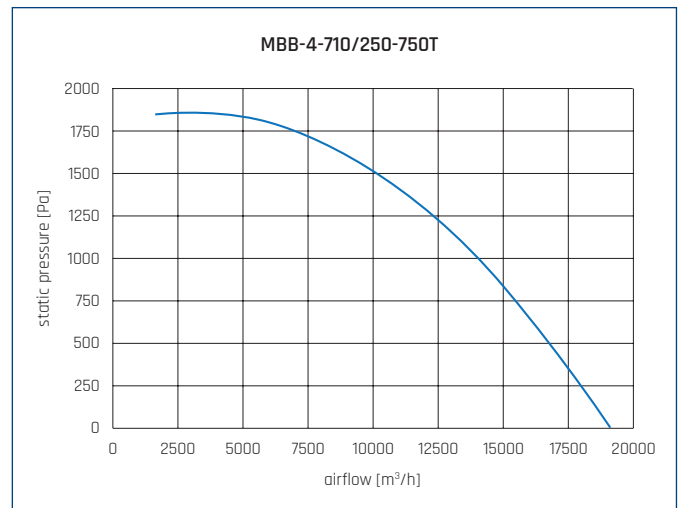


MC	EC	VSD	SR	η [%]	N	[kW]	[m³/h]	[Pa]	[RPM]
B	total	No	1	68,0%	72,0	4,19	10 346	999	1450

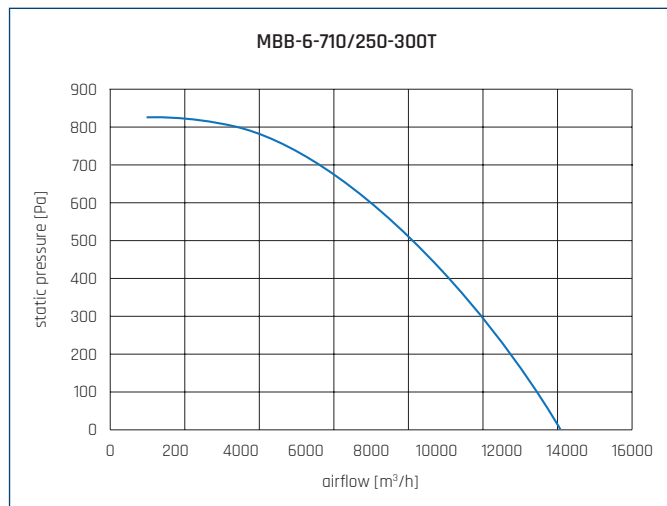
PERFORMANCE CURVES



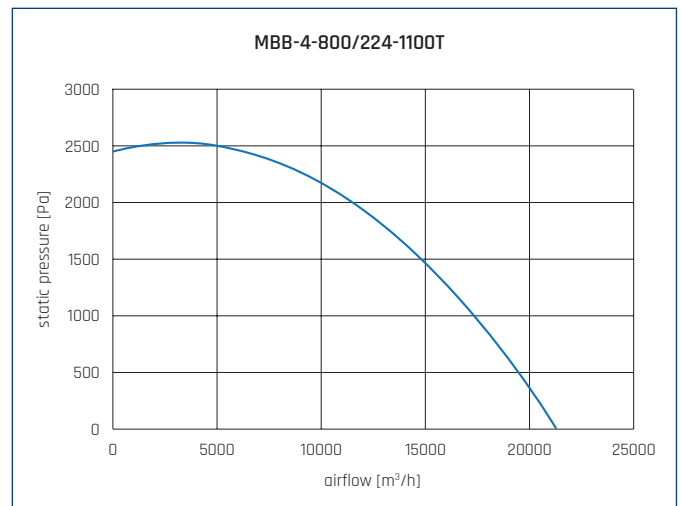
MC	EC	VSD	SR	η [%]	N	[kW]	[m³/h]	[Pa]	[RPM]
B	total	No	1	54,9%	64,1	1,33	6 389	411	950



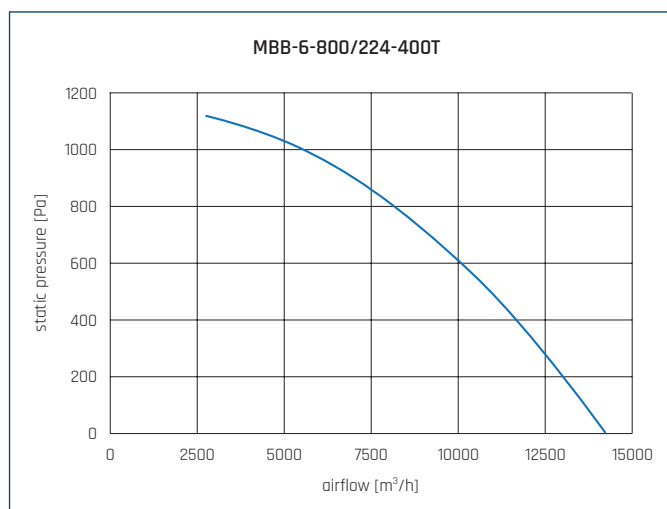
MC	EC	VSD	SR	η [%]	N	[kW]	[m³/h]	[Pa]	[RPM]
C	static	No	1	64,7%	66,5	6,80	10 300	1 538	1460



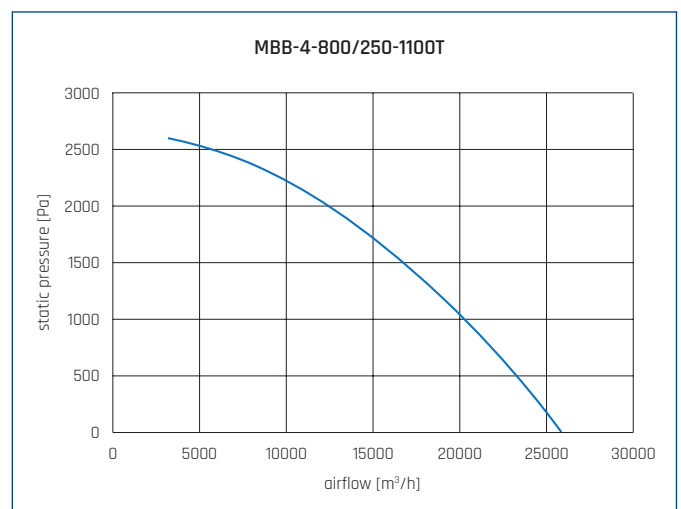
MC	EC	VSD	SR	η [%]	N	[kW]	[m³/h]	[Pa]	[RPM]
C	static	No	1	63,1%	68,3	3,20	8 396	980	965



MC	EC	VSD	SR	η [%]	N	[kW]	[m³/h]	[Pa]	[RPM]
C	static	No	1	61,2%	61,3	9,51	9 906	2141	1475

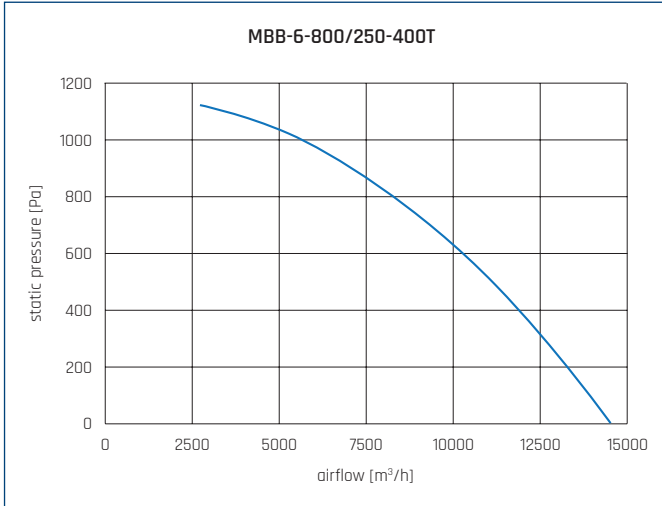


MC	EC	VSD	SR	η [%]	N	[kW]	[m³/h]	[Pa]	[RPM]
C	static	No	1	56,5%	61,6	3,29	8 166	840	960

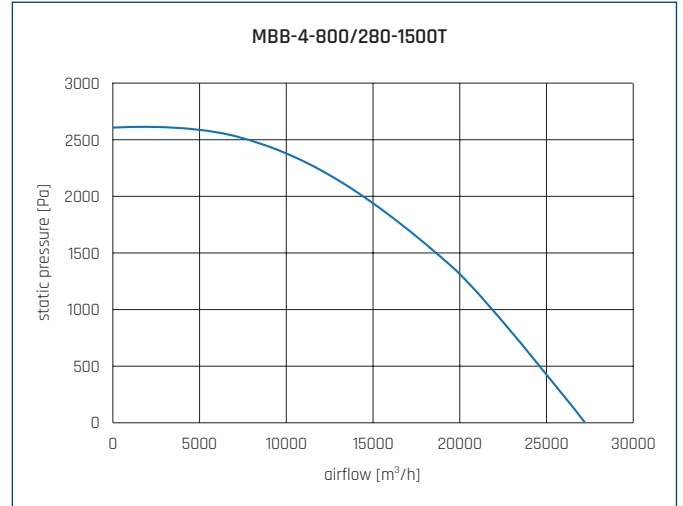


MC	EC	VSD	SR	η [%]	N	[kW]	[m³/h]	[Pa]	[RPM]
C	static	No	1	65,7%	65,7	11,09	12 864	2 047	1475

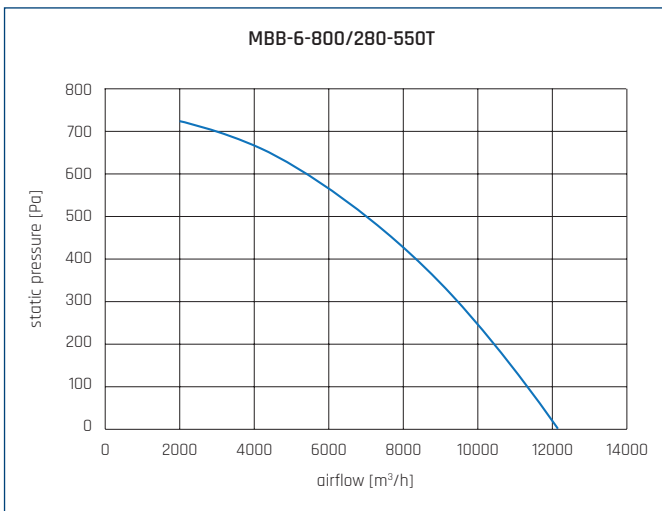
PERFORMANCE CURVES



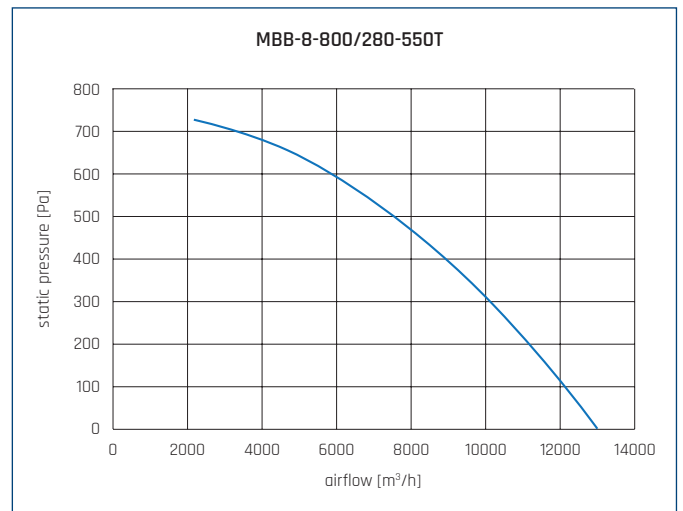
MC	EC	VSD	SR	η [%]	N	[kW]	[m³/h]	[Pa]	[RPM]
C	static	No	1	58,5%	63,7	3,26	8 009	857	960



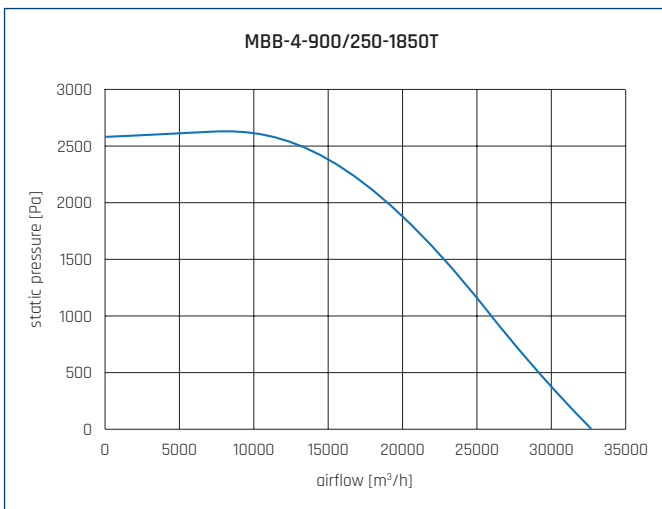
MC	EC	VSD	SR	η [%]	N	[kW]	[m³/h]	[Pa]	[RPM]
B	total	No	1	68,0%	67,7	13,50	14 890	2 219	1475



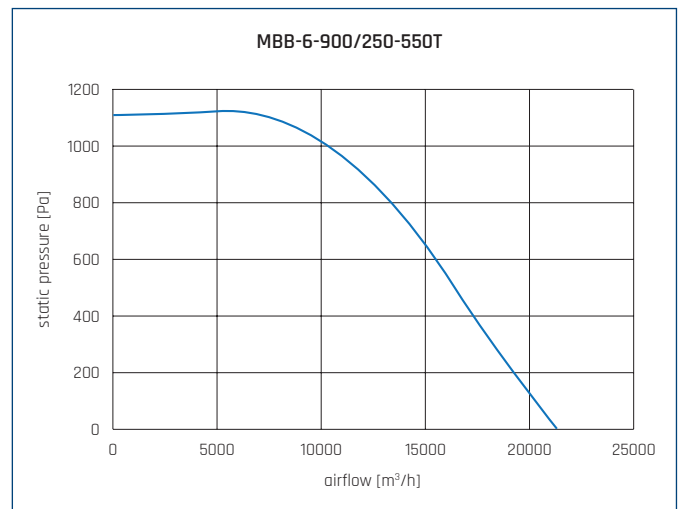
MC	EC	VSD	SR	η [%]	N	[kW]	[m³/h]	[Pa]	[RPM]
C	static	No	1	56,5%	61,5	3,30	8 039	835	965



MC	EC	VSD	SR	η [%]	N	[kW]	[m³/h]	[Pa]	[RPM]
B	total	No	1	59,1%	65,3	2,60	7 772	711	750

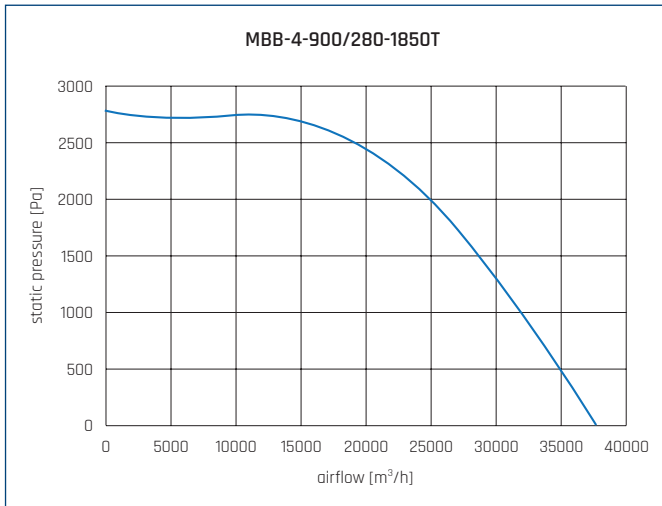


MC	EC	VSD	SR	η [%]	N	[kW]	[m³/h]	[Pa]	[RPM]
C	static	No	1	72,8%	72,4	14,21	16 376	2 273	1470

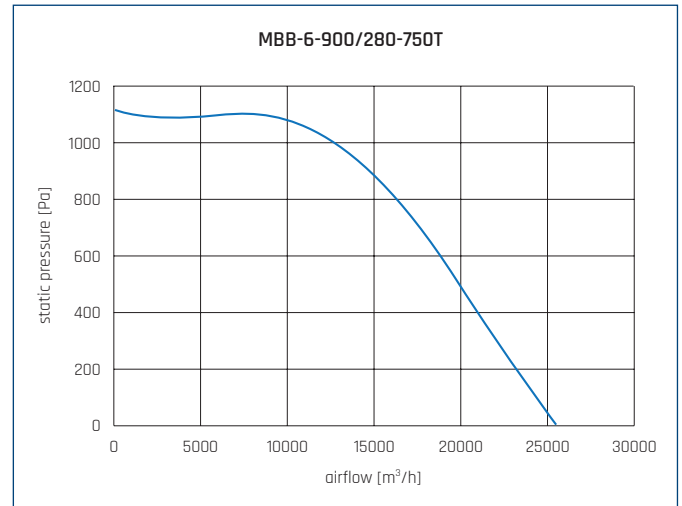


MC	EC	VSD	SR	η [%]	N	[kW]	[m³/h]	[Pa]	[RPM]
C	static	No	1	72,4%	76,5	4,08	10 946	970	965

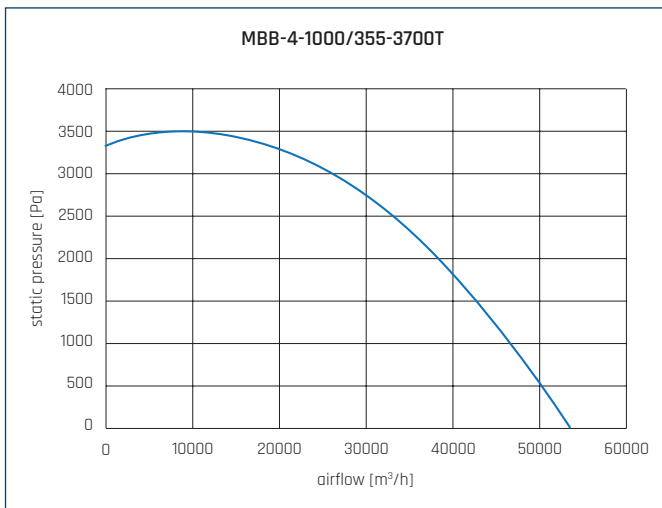
PERFORMANCE CURVES



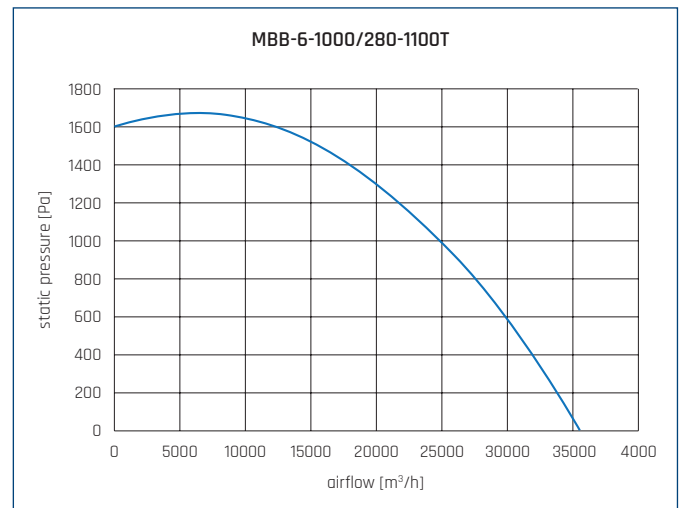
MC	EC	VSD	SR	η [%]	N	[kW]	[m³/h]	[Pa]	[RPM]
C	static	No	1	80,6%	78,1	17,11	20 802	2 386	1470



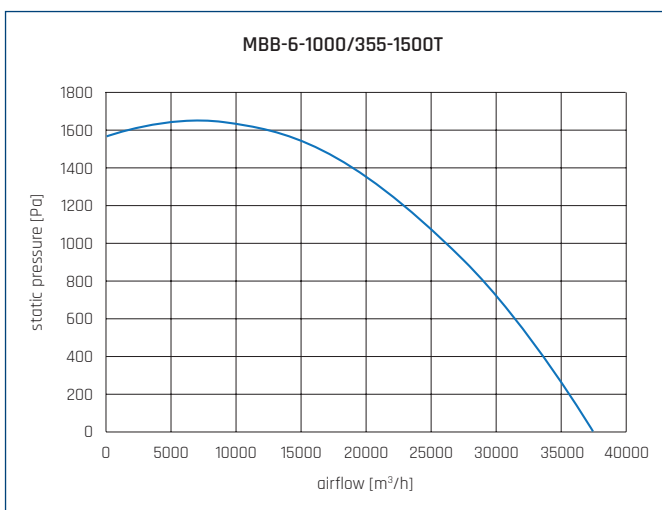
MC	EC	VSD	SR	η [%]	N	[kW]	[m³/h]	[Pa]	[RPM]
C	static	No	1	80,5%	83,8	4,85	13 693	1 027	975



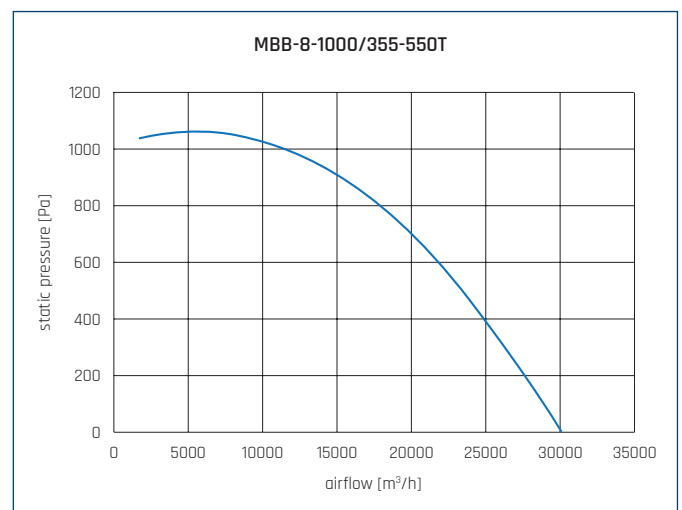
MC	EC	VSD	SR	η [%]	N	[kW]	[m³/h]	[Pa]	[RPM]
C	static	No	1	64,2%	62,9	33,20	25 846	2 985	1485



MC	EC	VSD	SR	η [%]	N	[kW]	[m³/h]	[Pa]	[RPM]
C	static	No	1	65,2%	65,1	11,03	19 669	1 315	980

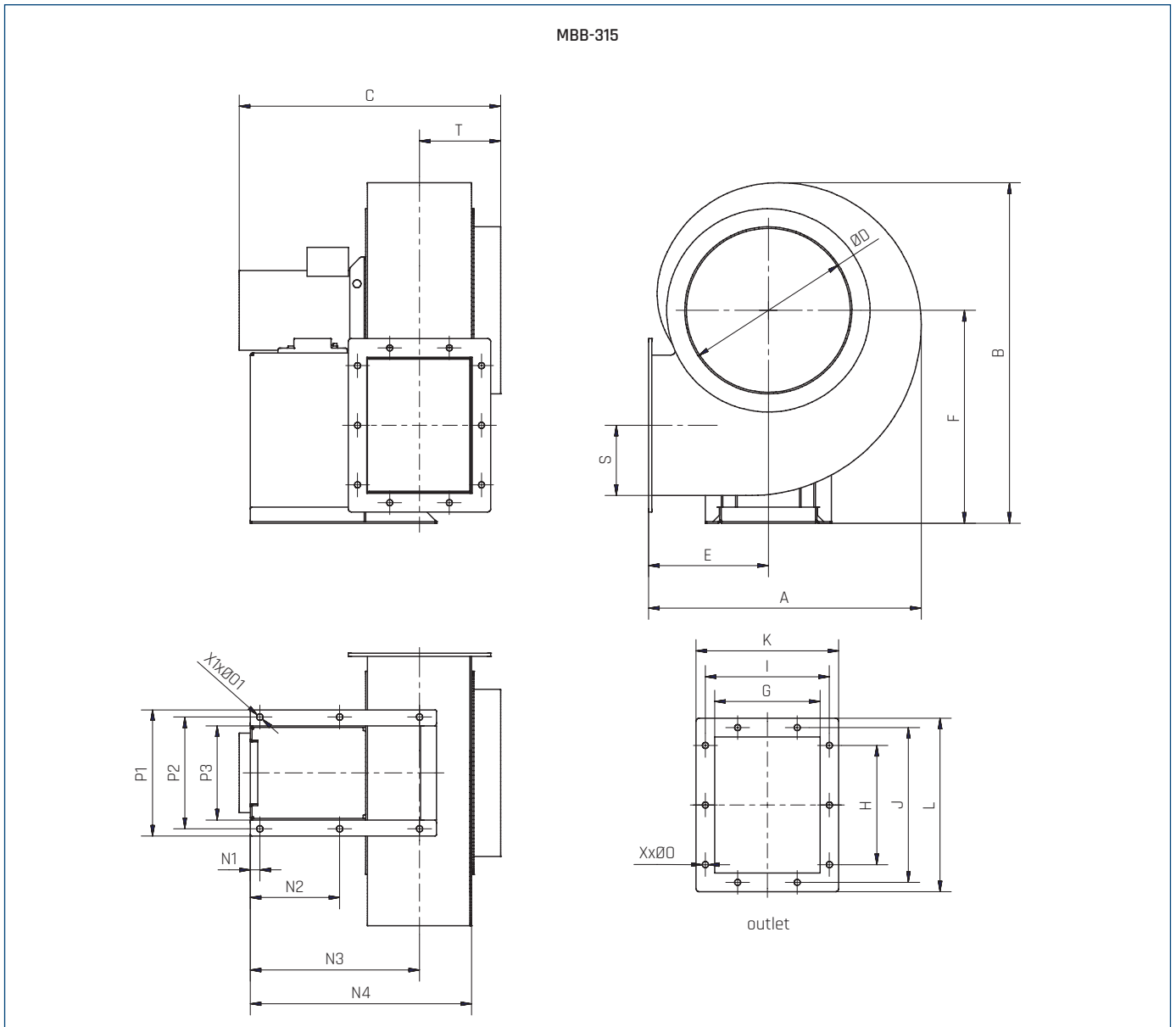


MC	EC	VSD	SR	η [%]	N	[kW]	[m³/h]	[Pa]	[RPM]
C	static	No	1	63,1%	63,0	12,00	22 000	1 240	960



MC	EC	VSD	SR	η [%]	N	[kW]	[m³/h]	[Pa]	[RPM]
C	static	No	1	69,0%	71,6	5,63	16 556	844	750

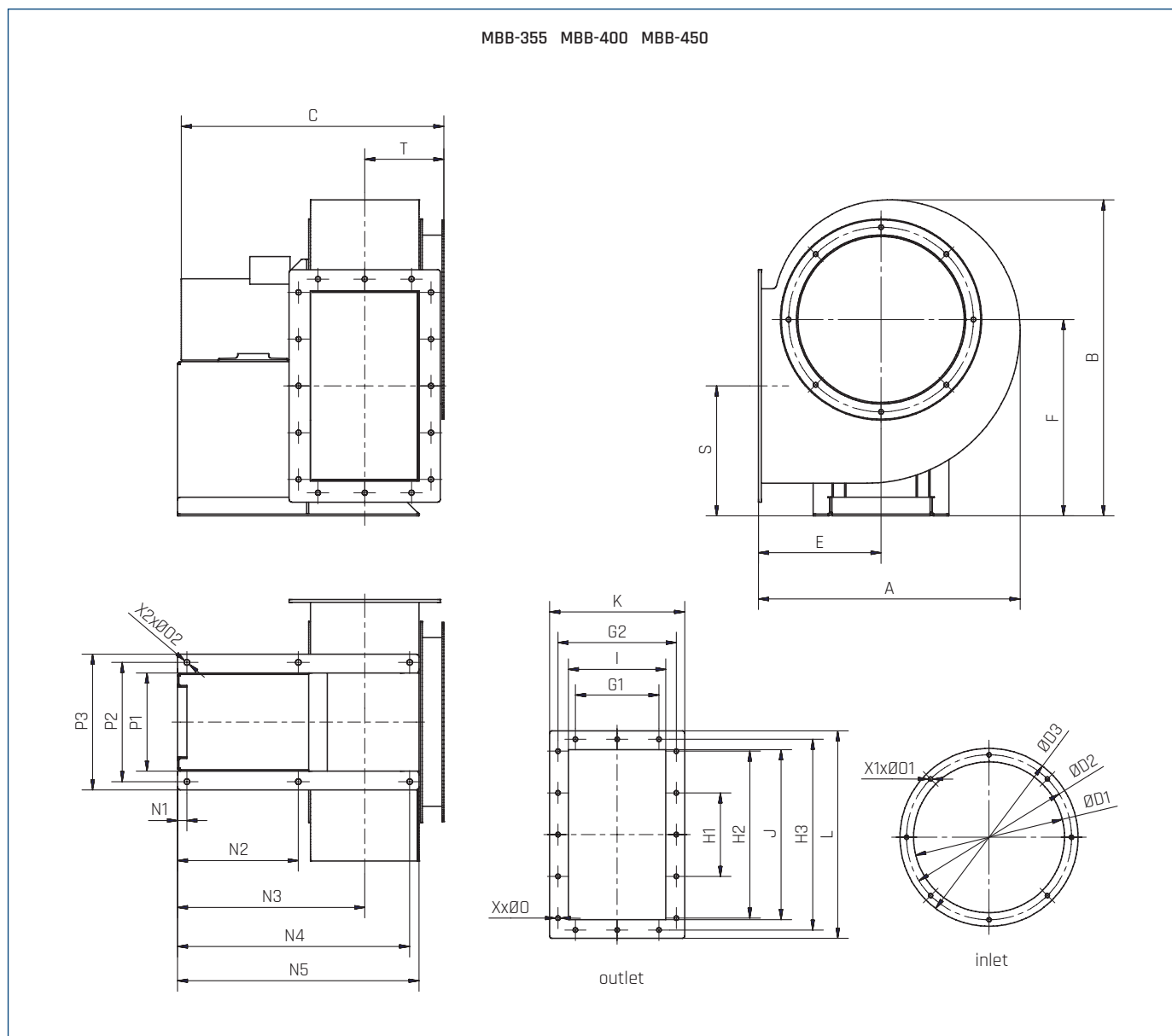
DIMENSIONS [mm]



Type	A	B	C*	ØD	E	F	G	H	I	J	K	L	N1	N2	N3	N4	Ø0	Ø01	P1	P2	P3	S	T	X	X1
MBB-315	512	640	491	315	225	400	198	224	233	291	268	326	18	168	318	416	11	12	177	210	237	184	152	10	6

* the dimension depends on the motor type.

DIMENSIONS [mm]

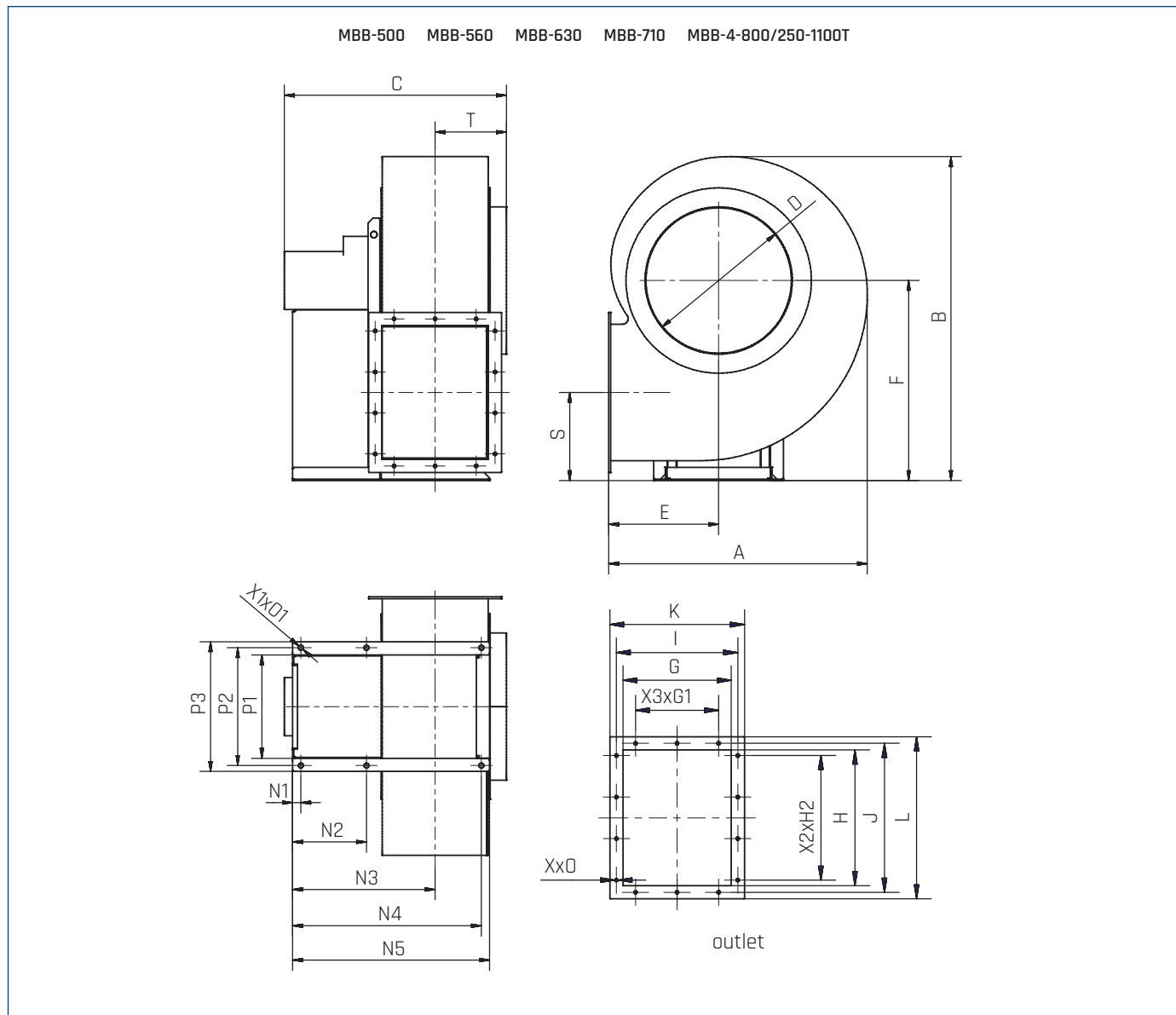


Type	A	B	C*	$\emptyset 01$	$\emptyset 02$	$\emptyset 03$	E	F	G1	G2	H1	H2	H3	I	J	K	L	N1	N2	N3	N4	N5	$\emptyset 0$	$\emptyset 01$	$\emptyset 02$
MBB-355	560	676	561	355	395	426	262	420	200	283	200	400	457	233	407	323	497	20	258	400	496	516	11	10	12
MBB-400	626	760	614	400	450	500	292	473	200	309	200	400	507	250	450	349	547	20	286	443	552	572	11	10	12
MBB-450	697	853	697	450	500	550	322	530	240	339	240	480	557	280	500	379	597	20	314	484	588	628	11	10	15

Type	P1	P2	P3	S	T	X	X1	X2
MBB-355	210	255	290	278	169	16	8	6
MBB-400	276	305	340	313	181	16	8	6
MBB-450	306	335	370	347	197	16	8	6

* the dimension depends on the motor type.

DIMENSIONS [mm]

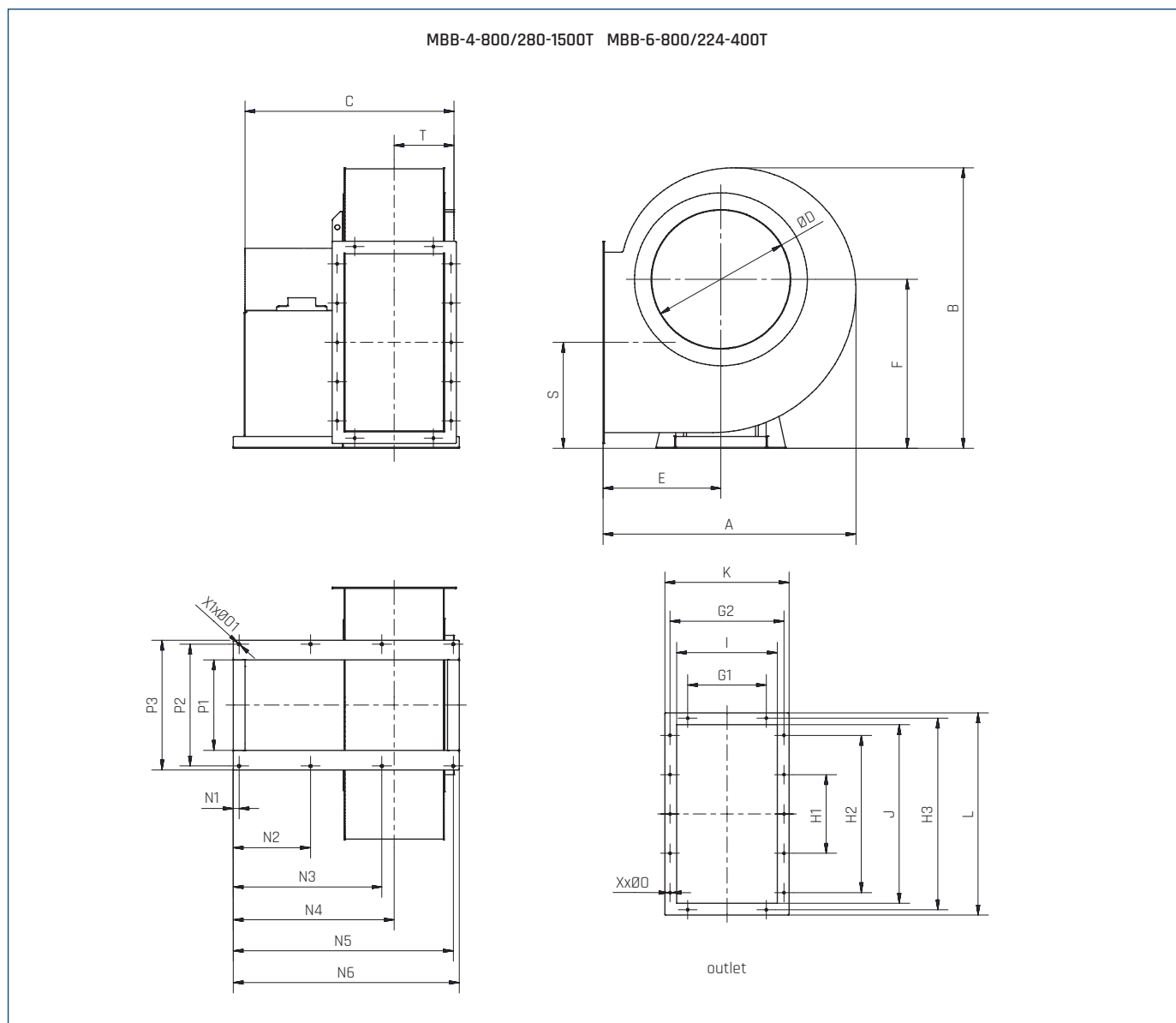


Type	A	B	C*	ØD	E	F	G	H	I	J	K	L	G1	X3	H1	X2	N1	N2	N3	N4	N5	ØD	ØD1	P1	P2
MBB-500	788	988	677	450	335	610	325	408	365	448	405	448	125	2	125	3	25	225	434	575	600	10	15	315	359
MBB-560	786	939	722	500	359	560	365	323	405	363	445	403	125	2	125	2	31	266	496	501	521	10	15	306	350
MBB-630	994	1254	818	500	425	780	425	513	495	573	555	633	125	2	125	4	77	327	537	777	802	10	18	425	460
MBB-710	1026	1296	960	630	445	805	460	532	520	592	580	652	125	3	125	4	23	340	658	667	694	12	18	456	491
MBB-4-800/250-1100T	1287	1428	1024	710	600	860	450	900	530	975	582	1029	300	1	200	4	30	393	794	1120	1150	12	-	-	-

Type	P3	S	T	X	X1
MBB-500	395	269	217	14	6
MBB-560	385	237	238	12	6
MBB-630	505	351	275	16	6
MBB-710	536	388	307	18	6
MBB-4-800/250-1100T	-	-	-	14	-

* the dimension depends on the motor type.

DIMENSIONS [mm]

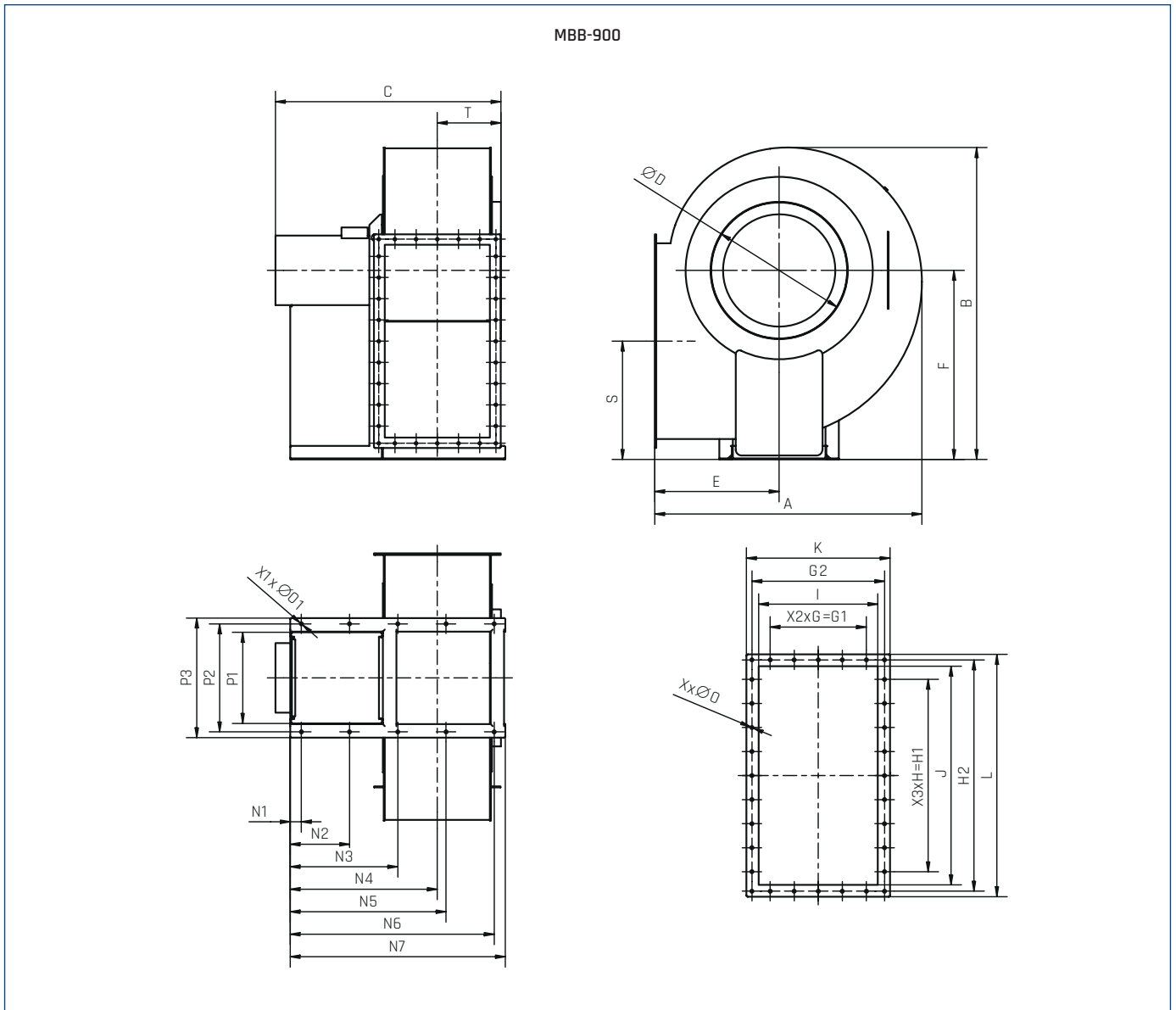


Type	A	B	C*	$\varnothing D$	E	F	G1	G2	H1	H2	H3	I	J	K	L	N1	N2	N3	N4	N5	N6	$\varnothing O$	$\varnothing O1$	P1	P2
MBB-4-800/280-1500T	1287	1428	1064	710	600	860	400	580	400	800	975	512	900	632	1029	30	394	757	819	1120	1150	12	15	460	620
MBB-6-800/224-400T	1287	1428	871	710	600	860	300	480	400	800	975	400	900	532	1029	30	394	757	769	1120	1150	12	15	460	620

Type	P3	S	T	X	X1
MBB-4-800/280-1500T	660	539	305	14	8
MBB-6-800/224-400T	660	539	255	14	8

* the dimension depends on the motor type.

DIMENSIONS [mm]

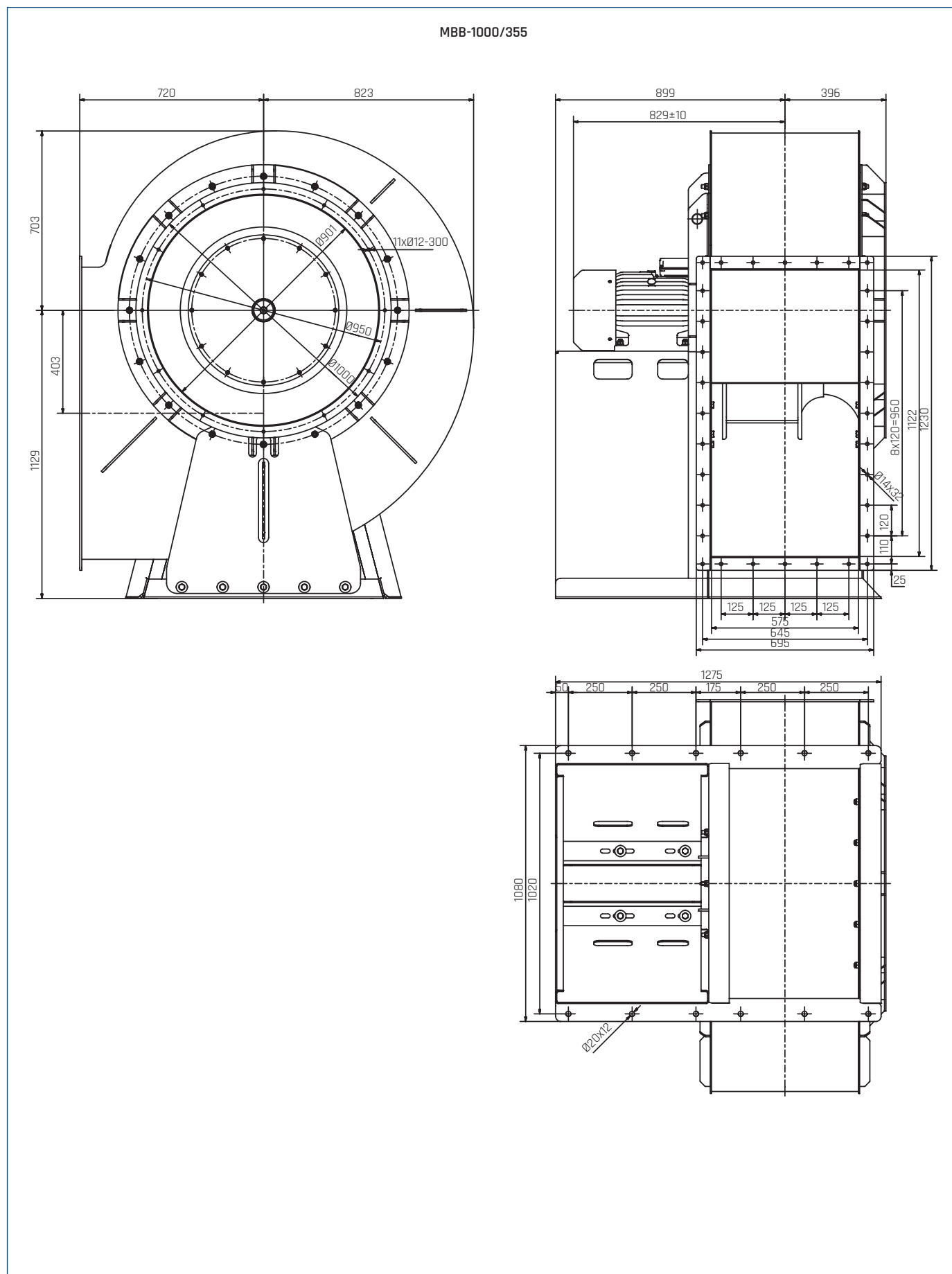


Type	A	B	C*	ØD	E	F	G	G1	G2	H	H1	H2	H3	I	J	K	L	N1	N2	N3	N4	N5	N6	N7
MBB-900	1385	1616	1169	710	645	980	110	440	607	110	880	1058	975	545	1000	657	1029	57,5	307	557	762	807	1057	1115

Type	Ø0	Ø01	P1	P2	P3	S	T	Xx	X1	X2	X3
MBB-900	14	16	472	560	620	613	330	32	10	4	8

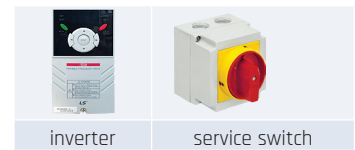
* the dimension depends on the motor type.

DIMENSIONS [mm]



ELECTRICAL ACCESSORIES

Type	inverter	service switch
MBB-2-315/102-075T	L 0,75 kW	R-S 3-F + SP, 10A
MBB-4-315/102-037T	L 0,4 kW	R-S 3-F + SP, 10A
MBB-2-355/125-150T	L 1,5 kW	R-S 3-F + SP, 10A
MBB-4-355/125-075T	L 0,75 kW	R-S 3-F + SP, 10A
MBB-2-400/140-300T	L 4,0 kW	R-S 3-F + SP, 10A
MBB-4-400/140-110T	L 1,5 kW	R-S 3-F + SP, 10A
MBB-2-450/160-550T	L 5,5 kW	R-S 3-F + SP, 10A
MBB-4-450/160-220T	L 2,2 kW	R-S 3-F + SP, 10A
MBB-2-500/160-1100T	L 11,0 kW	R-S 3-F + SP, 16A
MBB-4-500/180-110T	L 1,5 kW	R-S 3-F + SP, 10A
MBB-2-560/200-1850T	L 18,5kW	R-S 3-F + SP, 40A
MBB-4-560/200-220T	L 2,2 kW	R-S 3-F + SP, 10A
MBB-4-630/250-400T	L 4,0 kW	R-S 3-F + SP, 10A
MBB-6-630/250-220T	L 2,2 kW	R-S 3-F + SP, 10A
MBB-4-710/250-750T	L 7,5 kW	R-S 3-F + SP, 16A
MBB-6-710/250-300T	L 4,0 kW	R-S 3-F + SP, 10A
MBB-4-800/224-1100T	L 11,0 kW	R-S 3-F + SP, 25A
MBB-6-800/224-400T	L 4,0 kW	R-S 3-F + SP, 10A
MBB-4-800/250-1100T	L 11,0 kW	R-S 3-F + SP, 25A
MBB-6-800/250-400T	L 4,0 kW	R-S 3-F + SP, 10A
MBB-4-800/280-1500T	L 15,0 kW	R-S 3-F + SP, 40A
MBB-6-800/280-550T	L 5,5 kW	R-S 3-F + SP, 16A
MBB-8-800/280-550T	L 5,5 kW	R-S 3-F + SP, 16A
MBB-4-900/250-1850T	L 18,5kW	R-S 3-F + SP, 40A
MBB-6-900/250-550T	L 5,5 kW	R-S 3-F + SP, 16A
MBB-4-900/280-1850T	L 18,5kW	R-S 3-F + SP, 40A
MBB-6-900/280-750T	L 7,5 kW	R-S 3-F + SP, 25A
MBB-4-1000/355-3700T	on request	on request
MBB-6-1000/280-1100T	L 11,0 kW	R-S 3-F + SP, 25A
MBB-6-1000/355-1500T	L 15,0 kW	R-S 3-F + SP, 40A
MBB-8-1000/355-550T	L 5,5 kW	R-S 3-F + SP, 16A



Article numbers

R-S 3-F + SP, 10A	91040908-01
R-S 3-F + SP, 16A	91040908
R-S 3-F + SP, 25A	91040910
R-S 3-F + SP, 40A	91040924
L 0,4 kW	40016302
L 0,75 kW	40016312
L 1,5 kW	40016322
L 2,2 kW	40016332
L 4,0 kW	40016352
L 5,5 kW	40016362
L 7,5 kW	40016372
L 11,0 kW	40016383
L 15,0 kW	40016392
L 18,5kW	40016412